

### ALIA

### WALL BASIN / BATH OUTLET 200MM

PRODUCT CODE: 110-7610-12  
 FINISH: BRUSHED GOLD  
 WELS: 5 STAR - 6.0 LT/MIN

**INFORMATION:**

TEMPERATURE RATING: MIN 1° - MAX 75°  
 PRESSURE RATING: MIN 150 kPa - MAX 500 kPa

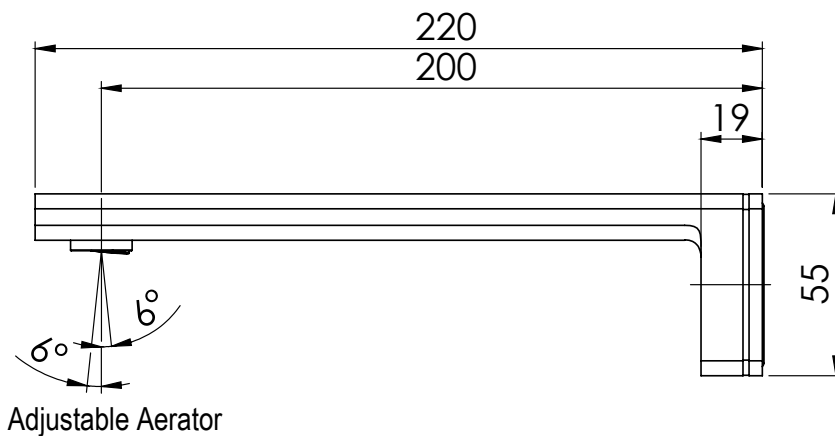
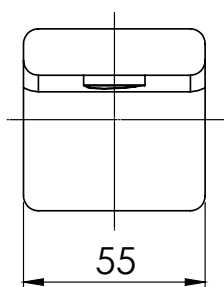


ALSO AVAILABLE IN:



CHROME BRUSHED NICKEL

FOR MORE INFORMATION VISIT  
[www.phoenixtapware.com.au](http://www.phoenixtapware.com.au)



PLEASE [CLICK HERE TO VIEW FULL WARRANTY](#)

While we aim to ensure the specifications shown are correct at time of printing, Phoenix Tapware reserves the right to make modifications without prior notice. Always use the physical product measurements for mark-ups and roughing-in as the line drawing shown may differ from the actual product over time. All measurements are shown in millimetres.

[www.phoenixtapware.com.au](http://www.phoenixtapware.com.au)  
 03 9780 4200



# PHOENIX

SPECIFICATIONS

**ALIA**

**WALL BASIN / BATH OUTLET 200MM**

PRODUCT CODE:

110-7610-12

FINISH:

BRUSHED GOLD

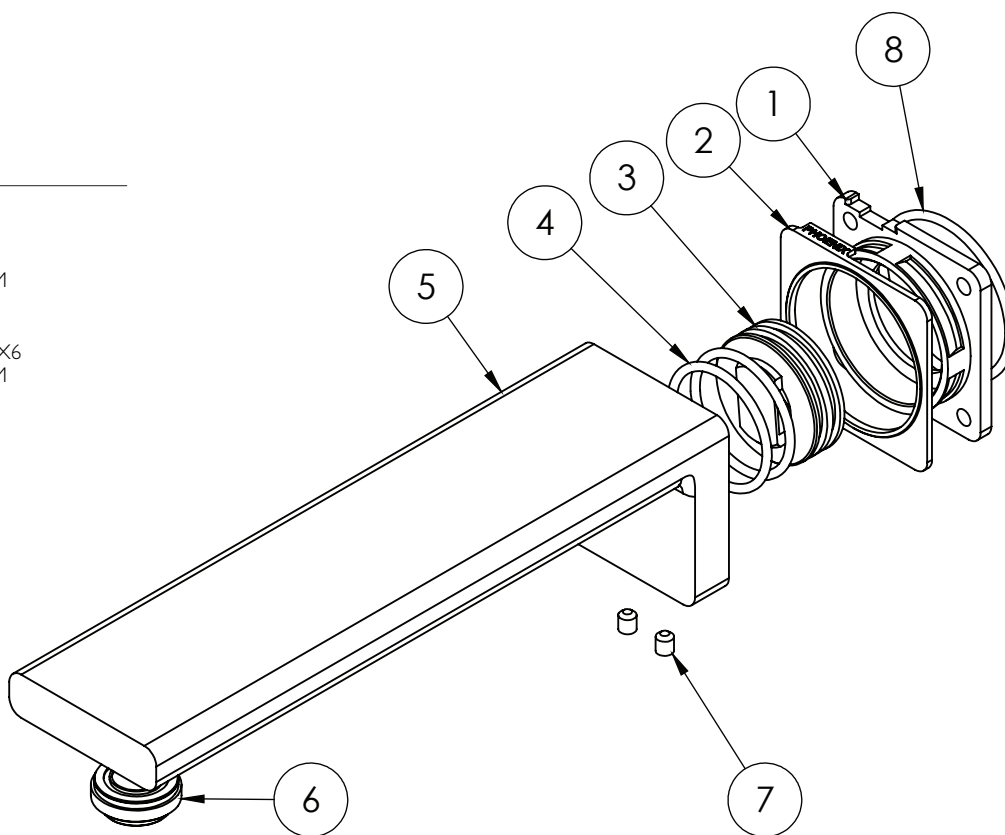
WELS:

5 STAR - 6.0 LT/MIN



## PARTS LIST

1. DRESS PLATE
2. PLASTIC SPACER
3. ADAPTOR
4. O-RING 33X2.5MM
5. SPOUT
6. AERATOR
7. GRUB SCREW M5X6
8. O-RING 45X2.5MM



## MAINTENANCE AND CARE:

- All surfaces should be cleaned with mild liquid detergent or soap and water.
- Do not use cream cleaners or citrus based cleaning products, as they are abrasive.
- Use of unsuitable cleaning agents may damage the surface. Any damage caused in this way will not be covered by warranty.

## PACKAGING INCLUDES

- 1 x Wall basin outlet
- 1 x Dress plate
- 1 x Free flow aerator (bath installation)
- 1 x Adaptor
- 1 x Installation kit
- 1 x Installation instructions
- 1 x Warranty card

PLEASE [CLICK HERE](#) TO VIEW FULL WARRANTY

While we aim to ensure the specifications shown are correct at time of printing, Phoenix Tapware reserves the right to make modifications without prior notice. Always use the physical product measurements for mark-ups and roughing-in as the line drawing shown may differ from the actual product over time. All measurements are shown in millimetres.

[www.phoenixtapware.com.au](http://www.phoenixtapware.com.au)  
03 9780 4200