



PHOENIX

SPECIFICATIONS

VIVID SLIMLINE

TWIN HANDLE SINK MIXER 220MM GOOSENECK

PRODUCT CODE: VS712 CHR
 FINISH: CHROME
 WELS: 4 STAR - 7.5 LT/MIN

INFORMATION:

TEMPERATURE RATING: MIN 1° - MAX 75°
 PRESSURE RATING: MIN 150 kPa - MAX 500 kPa

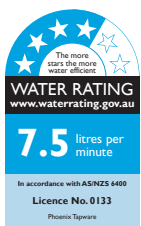
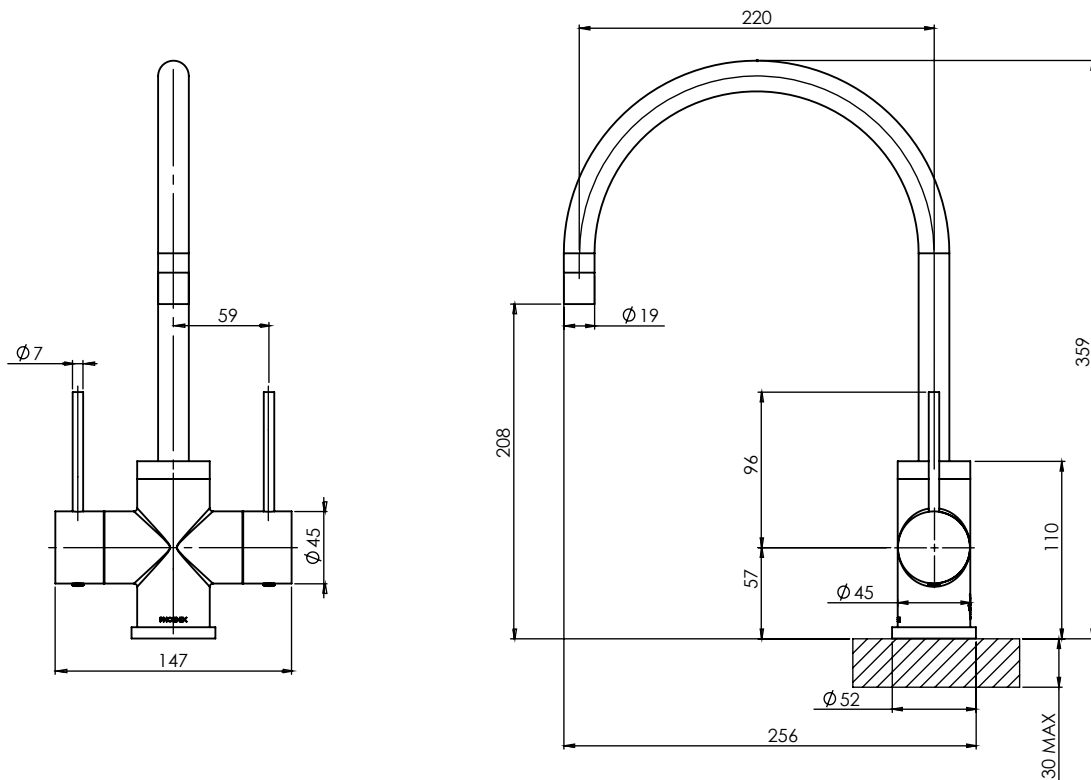


AVAILABLE IN:



CHROME

FOR MORE INFORMATION VISIT
www.phoenixtapware.com.au



PLEASE [CLICK HERE TO VIEW FULL WARRANTY](#)

While we aim to ensure the specifications shown are correct at time of printing, Phoenix Tapware reserves the right to make modifications without prior notice. Always use the physical product measurements for mark-ups and roughing-in as the line drawing shown may differ from the actual product over time. All measurements are shown in millimetres.

www.phoenixtapware.com.au
03 9780 4200



PHOENIX

SPECIFICATIONS

VIVID SLIMLINE

TWIN HANDLE SINK MIXER 220MM GOOSENECK

PRODUCT CODE:

VS712 CHR

FINISH:

CHROME

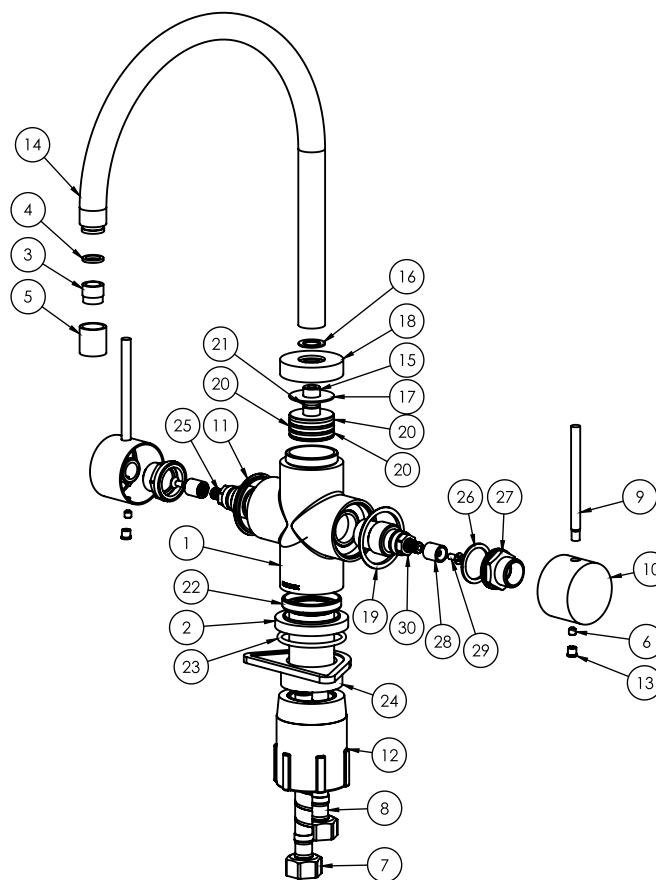
WELS:

4 STAR - 7.5 LT/MIN



PARTS LIST

1. MIXER BODY
2. DRESS RING
3. AERATOR
4. AERATOR GASKET
5. AERATOR RETAINER
6. GRUB SCREW M5X5MM
7. FLEXIBLE HOSE 450MM COLD
8. FLEXIBLE HOSE 450MM HOT
9. PIN LEVER
10. MIXER HANDLE
11. COLOUR INDICATION DISC
12. PLASTIC LOCKNUT
13. SCREW CAP
14. 220MM GOOSENECK SPOUT
15. SPOUT BOSS
16. UPPER SPOUT DISC
17. LOWER SPOUT DISC
18. MIXER SLEEVE
19. COLOUR INDICATION DISC
20. O-RING 26X3.0MM
21. O-RING 7X2.5MM
22. MIXER TAIL
23. O-RING 43X3MM
24. SWIVEL SPACER
25. 57MM CARTRIDGE
26. FIBRE WASHER
27. BONNET
28. SPLINED ADAPTER
29. SCREW
30. 57MM CARTRIDGE



MAINTENANCE AND CARE:

- All surfaces should be cleaned with mild liquid detergent or soap and water.
- Do not use cream cleaners or citrus based cleaning products, as they are abrasive.
- Use of unsuitable cleaning agents may damage the surface. Any damage caused in this way will not be covered by warranty.

PACKAGING INCLUDES

- 1 x Twin handle sink mixer 220mm gooseneck
- 1 x Dress ring
- 1 x Installation instructions
- 1 x 450mm braided flexible cold hose
- 1 x 450mm braided flexible hot hose
- 1 x Installation instructions
- 1 x Warranty card

PLEASE [CLICK HERE](#) TO VIEW FULL WARRANTY

While we aim to ensure the specifications shown are correct at time of printing, Phoenix Tapware reserves the right to make modifications without prior notice. Always use the physical product measurements for mark-ups and roughing-in as the line drawing shown may differ from the actual product over time. All measurements are shown in millimetres.

www.phoenixtapware.com.au
03 9780 4200