



PHOENIX

SPECIFICATIONS

VIVID PIN LEVER

BASIN SET SWIVEL GOOSENECK OUTLET

PRODUCT CODE: VPI01 CHR
 FINISH: CHROME
 WELS: 5 STAR - 5.5 LT/MIN

INFORMATION:

TEMPERATURE RATING: MIN 1° - MAX 75°
 PRESSURE RATING: MIN 150 kPa - MAX 500 kPa

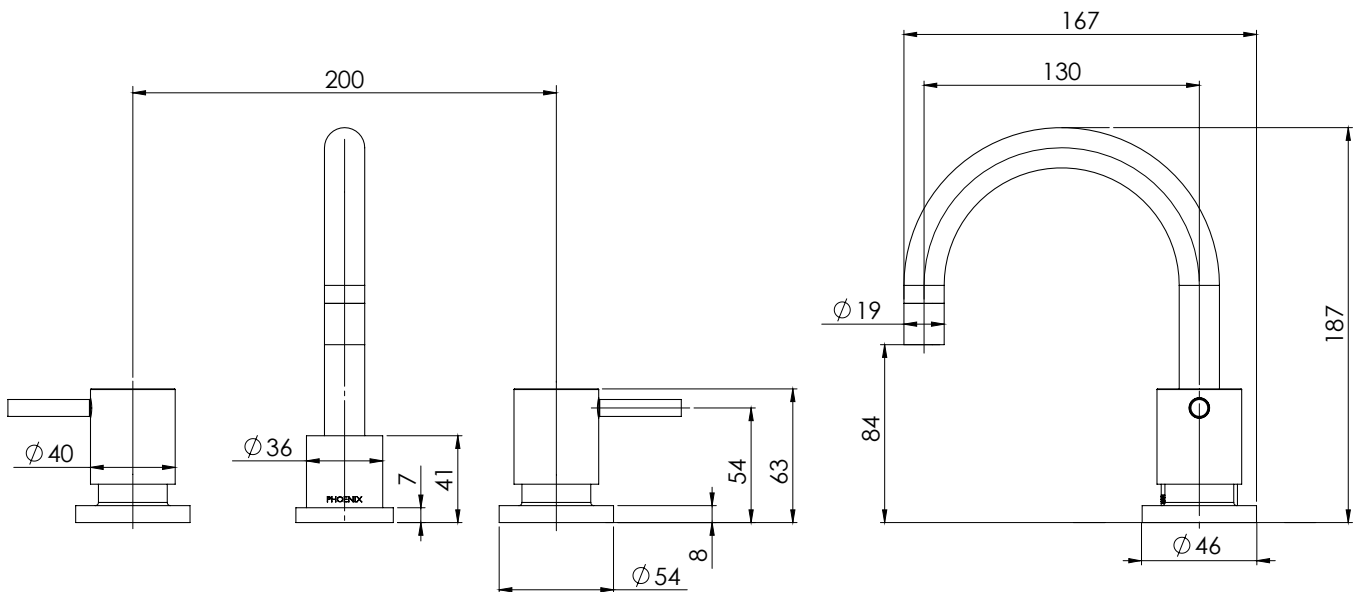


AVAILABLE IN:



CHROME

FOR MORE INFORMATION VISIT
www.phoenixtapware.com.au



PLEASE [CLICK HERE](#) TO VIEW FULL WARRANTY

While we aim to ensure the specifications shown are correct at time of printing, Phoenix Tapware reserves the right to make modifications without prior notice. Always use the physical product measurements for mark-ups and roughing-in as the line drawing shown may differ from the actual product over time. All measurements are shown in millimetres.

www.phoenixtapware.com.au
03 9780 4200



PHOENIX

SPECIFICATIONS

VIVID PIN LEVER

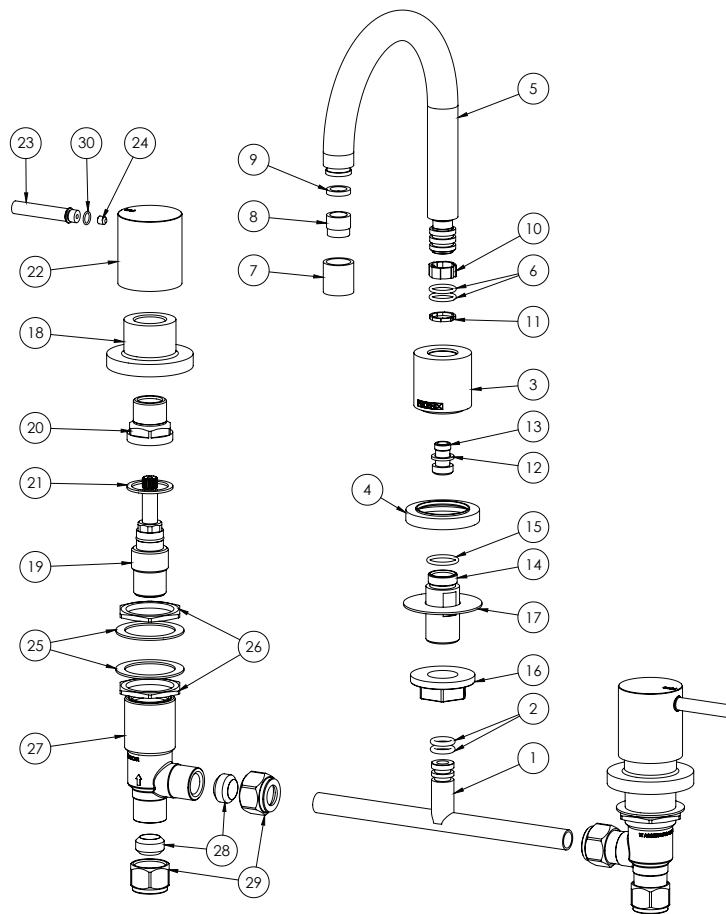
BASIN SET SWIVEL GOOSENECK OUTLET

PRODUCT CODE: VPI01 CHR
 FINISH: CHROME
 WELS: 5 STAR - 5.5 LT/MIN



PARTS LIST

1. BASIN T PIECE
2. O-RING 10X2.75MM
3. BASIN FLANGE
4. DRESS RING
5. SPOUT
6. O-RING 13X2MM
7. NOZZLE RETAINER
8. AERATOR
9. GASKET
10. SPOUT BEARING LARGE
11. SPOUT BEARING SMALL
12. SWIVEL SPOUT RETAINER
13. SWIVEL SPOUT RETAINER SCREW
14. OUTLET TAIL
15. O-RING 16X2
16. LOCKNUT PLASTIC
17. OUTLET NYLON WASHER
18. BASIN TAP FLANGE
19. SPLINE
20. BONNET
21. FIBER WASHER
22. HANDLE BODY
23. PIN LEVER
24. GRUB SCREW M5X5
25. BASIN BODY WASHER
26. BASIN NUT
27. TAP BODY ASSEMBLY
28. CONNECTOR
29. T-PIECE LOCKNUT
30. O-RING 6.5X1.0



MAINTENANCE AND CARE:

- All surfaces should be cleaned with mild liquid detergent or soap and water.
- Do not use cream cleaners or citrus based cleaning products, as they are abrasive.
- Use of unsuitable cleaning agents may damage the surface. Any damage caused in this way will not be covered by warranty.

PACKAGING INCLUDES

- 1 x Basin T-piece
- 1 x Spout
- 1 x Basin tap assembly
- 1 x Installation kit
- 1 x Installation instructions
- 1 x Warranty card

PLEASE [CLICK HERE](#) TO VIEW FULL WARRANTY

While we aim to ensure the specifications shown are correct at time of printing, Phoenix Tapware reserves the right to make modifications without prior notice. Always use the physical product measurements for mark-ups and roughing-in as the line drawing shown may differ from the actual product over time. All measurements are shown in millimetres.

www.phoenixtapware.com.au
 03 9780 4200