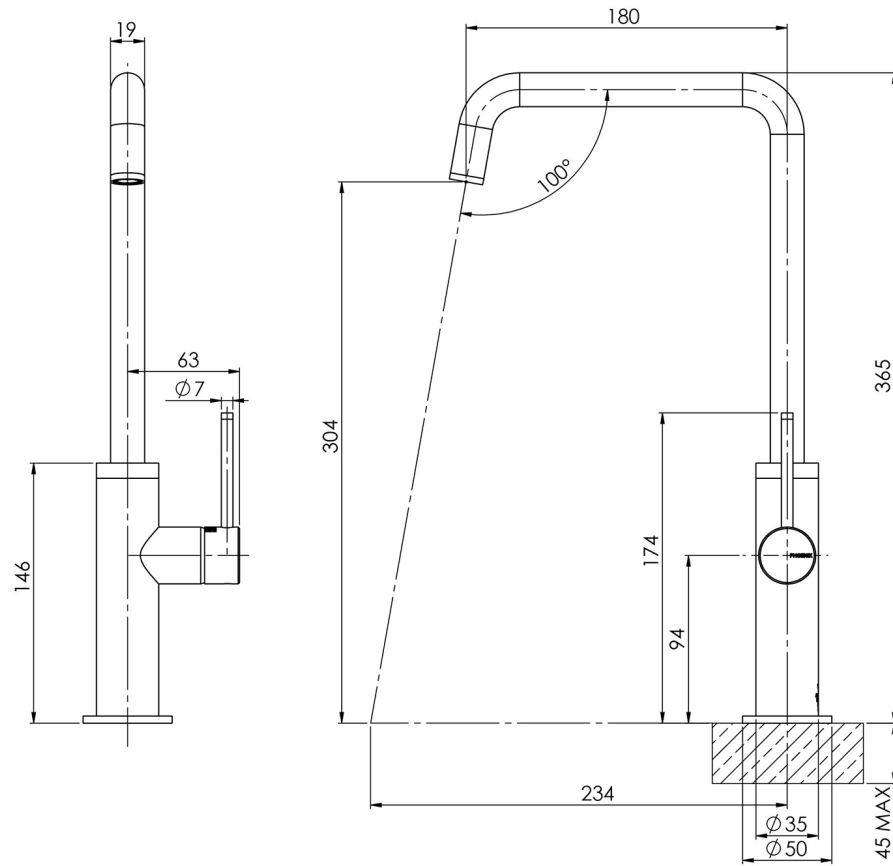


TOI

TOI SINK MIXER 180MM SQUARELINE



SPECIFICATIONS



AVAILABLE IN



108-7320-00
Chrome



108-7320-60
Chrome /
Matte Black



108-7320-10
Matte Black



108-7320-72
Matte Black /
Brushed
Rose Gold

INFORMATION

Temperature Rating
1 - 75°C

Pressure Rating
150 - 500kPa



MAINTENANCE AND CARE:

- All surfaces should be cleaned with mild liquid detergent or soap and water.
- Do not use cream cleaners or citrus based cleaning products, as they are abrasive.
- Use of unsuitable cleaning agents may damage the surface.
- Any damage caused in this way will not be covered by warranty.

Please visit <https://www.phoenixtapware.com.au/warranty> to view the full warranty