

# IVY MKII

## PULL OUT SINK MIXER

PRODUCT CODE: 154-7100-00  
 FINISH: CHROME  
 WELS: 4 STAR - 7 LT/MIN

**INFORMATION:**

TEMPERATURE RATING: MIN 1° - MAX 75°  
 PRESSURE RATING: MIN 150 kPa - MAX 500 kPa

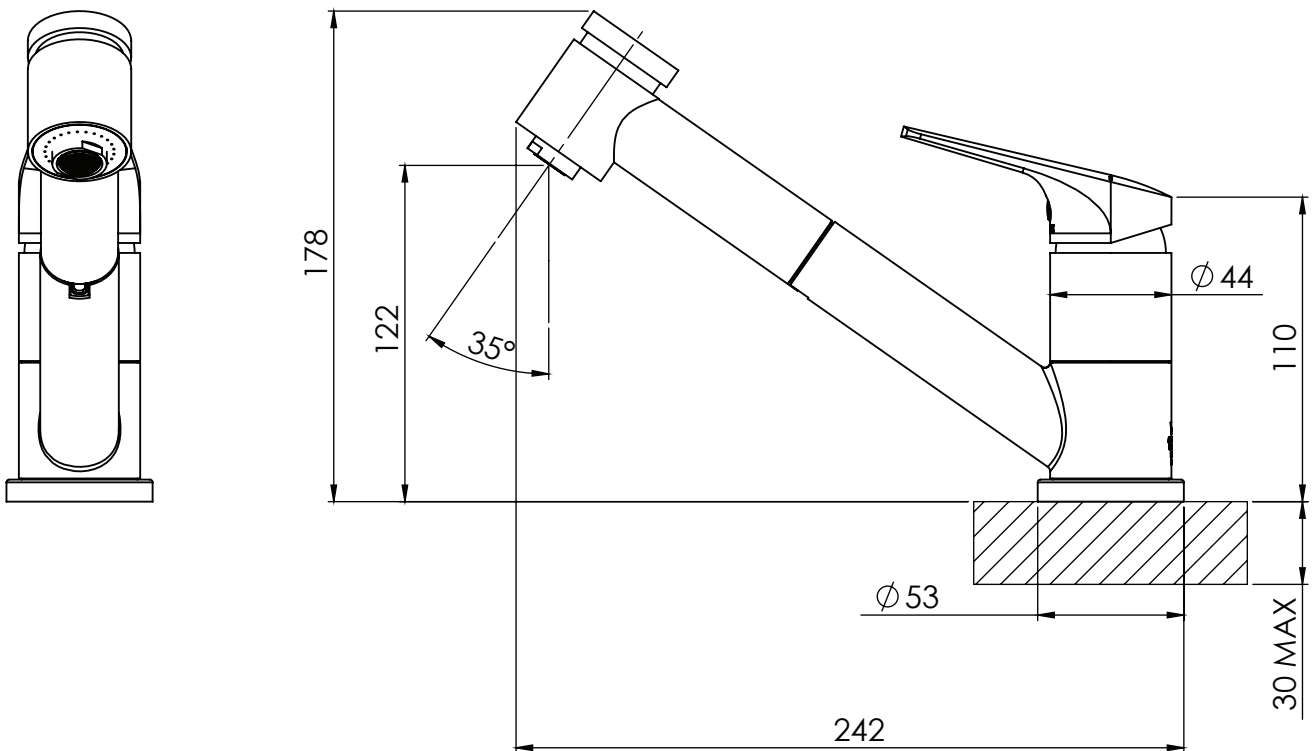


AVAILABLE IN:



CHROME

FOR MORE INFORMATION VISIT  
[www.phoenixtapware.com.au](http://www.phoenixtapware.com.au)



PLEASE [CLICK HERE TO VIEW FULL WARRANTY](#)

While we aim to ensure the specifications shown are correct at time of printing, Phoenix Tapware reserves the right to make modifications without prior notice. Always use the physical product measurements for mark-ups and roughing-in as the line drawing shown may differ from the actual product over time. All measurements are shown in millimetres.

[www.phoenixtapware.com.au](http://www.phoenixtapware.com.au)  
 03 9780 4200



### IVY MKII

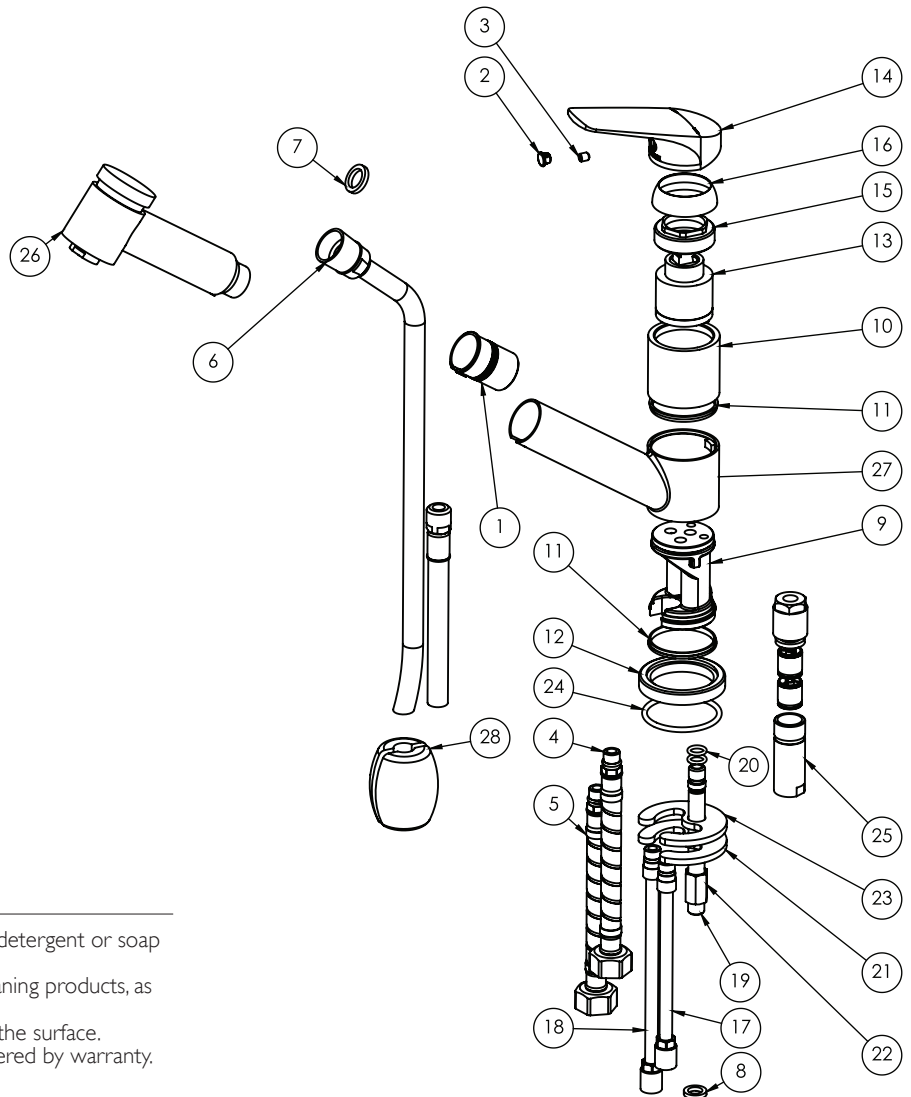
### PULL OUT SINK MIXER

PRODUCT CODE: 154-7100-00  
 FINISH: CHROME  
 WELS: 4 STAR - 7 LT/MIN



#### PARTS LIST

1. PLASTIC INSERT
2. MIXER SCREW CAP
3. GRUB SCREW M5X6MM
4. FLEXIBLE HOSE 450MM HOT
5. FLEXIBLE HOSE 450MM COLD
6. SPRAYER HOSE
7. RUBBER WASHER
8. RUBBER WASHER
9. CARTRIDGE SEAT
10. CARTRIDGE BODY
11. TEFLON BEARING
12. MIXER DRESS PLATE
13. 35MM CARTRIDGE
14. MIXER HANDLE
15. CARTRIDGE LOCKNUT
16. MIXER DOME
17. M10 HOSE EXTENSION
18. M10 HOSE EXTENSION
19. FIXING TUBE
20. O-RING 8X2MM
21. FIXING PLATE
22. FIXING NUT
23. FIXING PLATE GASKET
24. O-RING 43X3MM
25. INLINE CHECK VALVE CONNECTOR
26. HANDPIECE
27. MIXER BASE
28. PULL OUT COUNTER WEIGHT



#### MAINTENANCE AND CARE:

- All surfaces should be cleaned with mild liquid detergent or soap and water.
- Do not use cream cleaners or citrus based cleaning products, as they are abrasive.
- Use of unsuitable cleaning agents may damage the surface. Any damage caused in this way will not be covered by warranty.

[PLEASE CLICK HERE TO VIEW FULL WARRANTY](#)

While we aim to ensure the specifications shown are correct at time of printing, Phoenix Tapware reserves the right to make modifications without prior notice. Always use the physical product measurements for mark-ups and roughing-in as the line drawing shown may differ from the actual product over time. All measurements are shown in millimetres.

[www.phoenixtapware.com.au](http://www.phoenixtapware.com.au)  
 03 9780 4200