



PHOENIX

SPECIFICATIONS

VIVID SLIMLINE

FLOOR MOUNTED BATH MIXER WITH HAND SHOWER

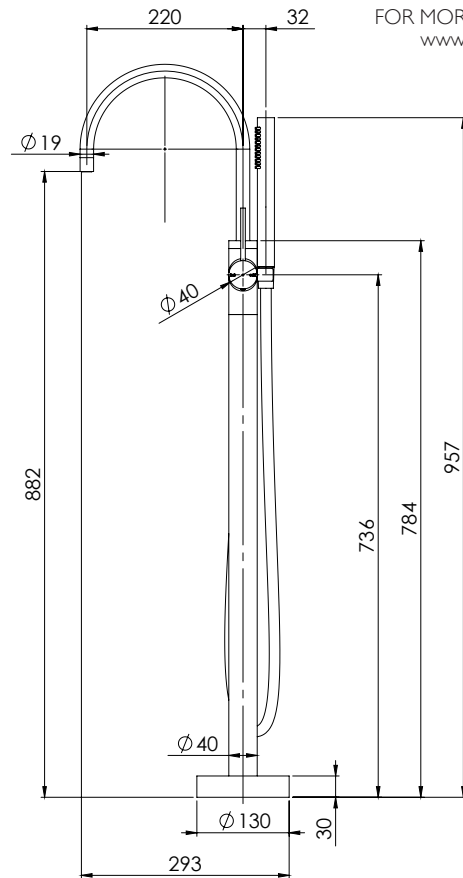
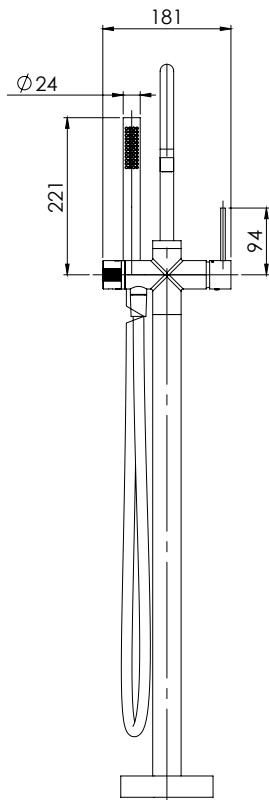
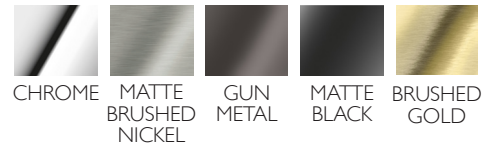
PRODUCT CODE: VS7451-12
 FINISH: BRUSHED GOLD
 WELS: 3 STAR - 8.0 LT/MIN

INFORMATION:

TEMPERATURE RATING: MIN 1° - MAX 75°
 PRESSURE RATING: MIN 150 kPa - MAX 500 kPa



AVAILABLE IN:



FOR MORE INFORMATION VISIT www.phoenixtapware.com.au



PLEASE [CLICK HERE TO VIEW FULL WARRANTY](#)

While we aim to ensure the specifications shown are correct at time of printing, Phoenix Tapware reserves the right to make modifications without prior notice. Always use the physical product measurements for mark-ups and roughing-in as the line drawing shown may differ from the actual product over time. All measurements are shown in millimetres. Some colours may vary across product types due to differing construction materials. Printed images are a representation only and the colour or finish may vary from the actual product.

www.phoenixtapware.com.au
 03 9780 4200



VIVID SLIMLINE

FLOOR MOUNTED BATH MIXER WITH HAND SHOWER

PRODUCT CODE:

VS7451-12

FINISH:

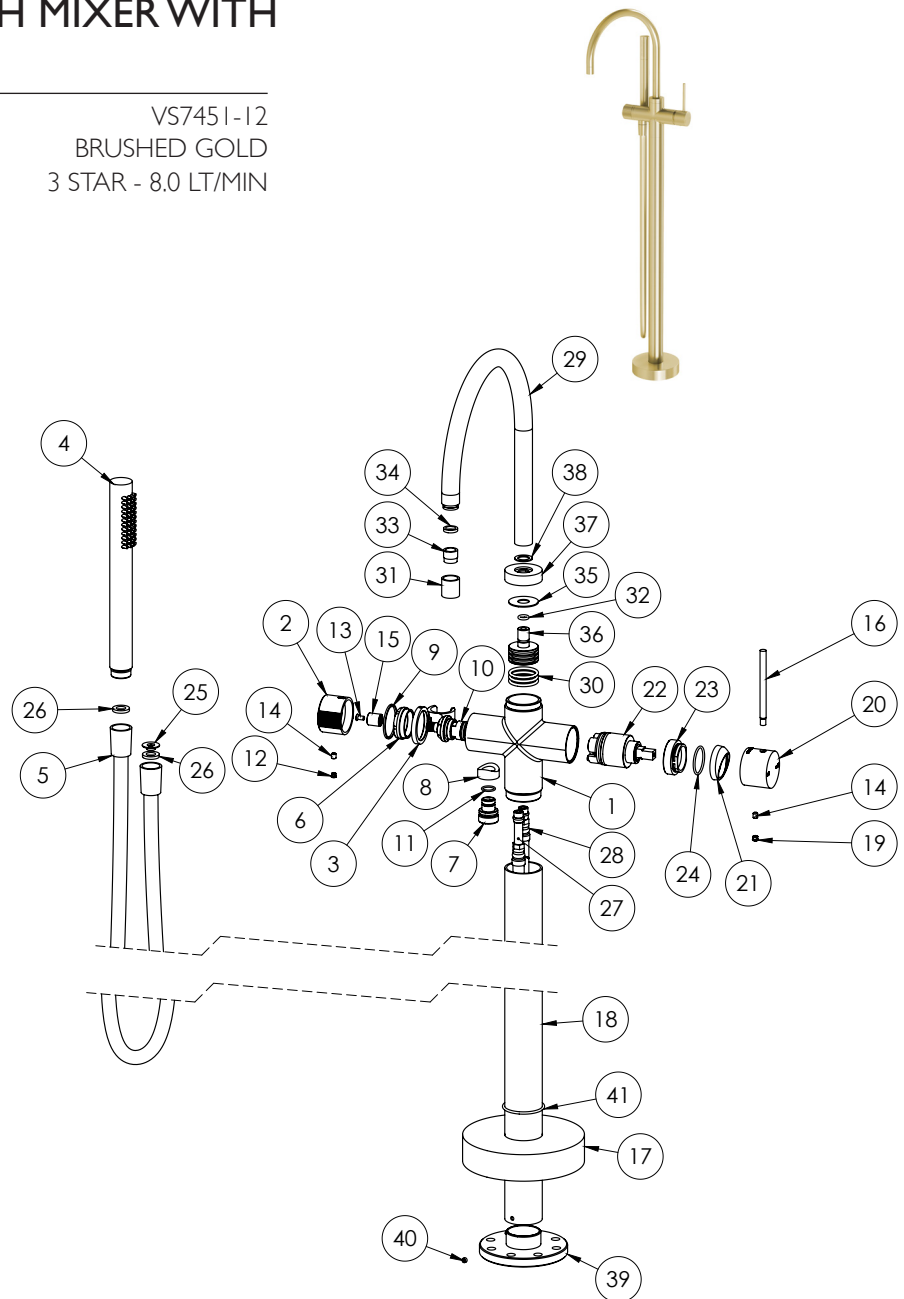
BRUSHED GOLD

WELS:

3 STAR - 8.0 LT/MIN

PARTS LIST

1. FLOOR MIXER BODY
2. MIXER HANDLE
3. HAND PIECE HOLDER
4. HAND SHOWER
5. HAND SHOWER HOSE
6. HOLDER LOCKNUT
7. HOSE OUTLET
8. HOSE OUTLET COVER
9. DIVERTER BEARING
10. DIVERTER
11. O-RING 12X1.5
12. RUBBER SCREW CAP
13. SCREW
14. GRUB SCREW M5X6
15. DIVERTER ADAPTOR
16. PIN LEVER
17. MIXER COVER
18. MIXER TUBE
19. SCREW CAP
20. MIXER HANDLE
21. MIXER DOME
22. CARTRIDGE
23. MIXER LOCKNUT
24. O-RING 12X2
25. GASKET
26. RUBBER WASHER
27. FLEXIBLE HOSE 450MM HOT
28. FLEXIBLE HOSE 450MM COLD
29. SPOUT ASSY
30. O-RING 26X3.0
31. RETAINER
32. O-RING 7X2.5
33. AERATOR
34. GASKET
35. LOWER SPOUT DISC
36. BOSS
37. BODY COVER
38. UPPER SPOUT DISC
39. MOUNTING PLATE
40. GRUB SCREW M5X4
41. O-RING 40X2.5



MAINTENANCE AND CARE:

- All surfaces should be cleaned with mild liquid detergent or soap and water.
- Do not use cream cleaners or citrus based cleaning products, as they are abrasive.
- Use of unsuitable cleaning agents may damage the surface. Any damage caused in this way will not be covered by warranty.

PACKAGING INCLUDES

- 1 x Floor mixer
- 1 x Hand shower
- 1 x Shower hose
- 1 x Installation kit
- 1 x Installation instructions
- 1 x Warranty card

PLEASE [CLICK HERE](#) TO VIEW FULL WARRANTY

While we aim to ensure the specifications shown are correct at time of printing, Phoenix Tapware reserves the right to make modifications without prior notice. Always use the physical product measurements for mark-ups and roughing-in as the line drawing shown may differ from the actual product over time. All measurements are shown in millimetres. Some colours may vary across product types due to differing construction materials. Printed images are a representation only and the colour or finish may vary from the actual product.

www.phoenixtapware.com.au

03 9780 4200