



# PHOENIX

## SPECIFICATIONS

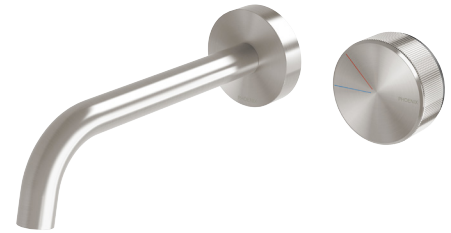
### AXIA

## WALL BASIN / BATH CURVED OUTLET MIXER SET 180MM

PRODUCT CODE: 117-7815-40  
 FINISH: BRUSHED NICKEL  
 WELS: 5 STAR - 6 LT/MIN

#### INFORMATION:

TEMPERATURE RATING: MIN 1° - MAX 55°  
 PRESSURE RATING: MIN 150 kPa - MAX 500 kPa

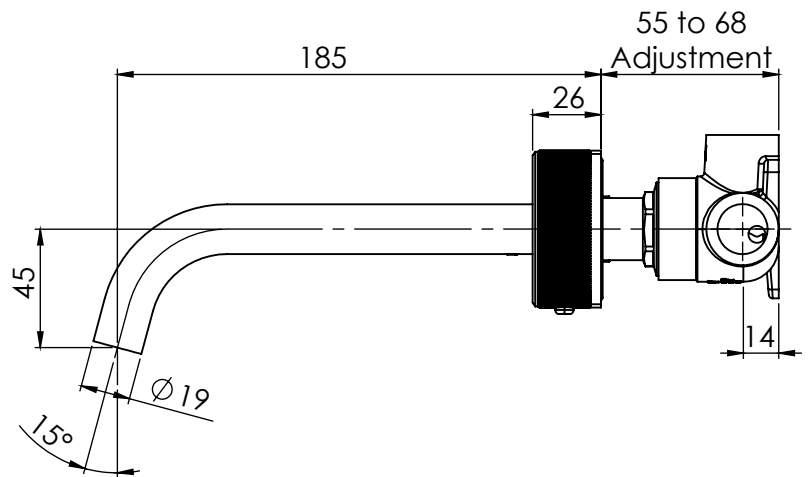
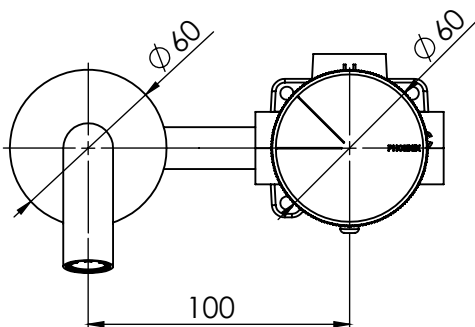


AVAILABLE IN:



CHROME BRUSHED NICKEL MATTE BLACK

FOR MORE INFORMATION VISIT  
[www.phoenixtapware.com](http://www.phoenixtapware.com)



PLEASE [CLICK HERE TO VIEW FULL WARRANTY](#)

While we aim to ensure the specifications shown are correct at time of printing, Phoenix Tapware reserves the right to make modifications without prior notice. Always use the physical product measurements for mark-ups and roughing-in as the line drawing shown may differ from the actual product over time. All measurements are shown in millimetres. Some colours may vary across product types due to differing construction materials. Printed images are a representation only and the colour or finish may vary from the actual product.  
 A Registered Design and Trademark of Phoenix Industries Pty. Ltd

[www.phoenixtapware.com.au](http://www.phoenixtapware.com.au)  
 03 9780 4200



# PHOENIX

## SPECIFICATIONS

### AXIA

## WALL BASIN / BATH CURVED OUTLET MIXER SET 180MM

PRODUCT CODE:

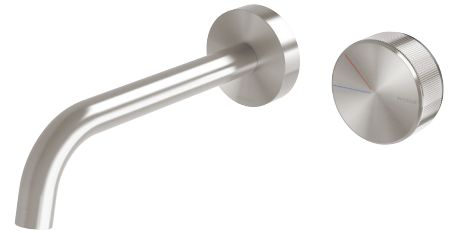
117-7815-40

FINISH:

BRUSHED NICKEL

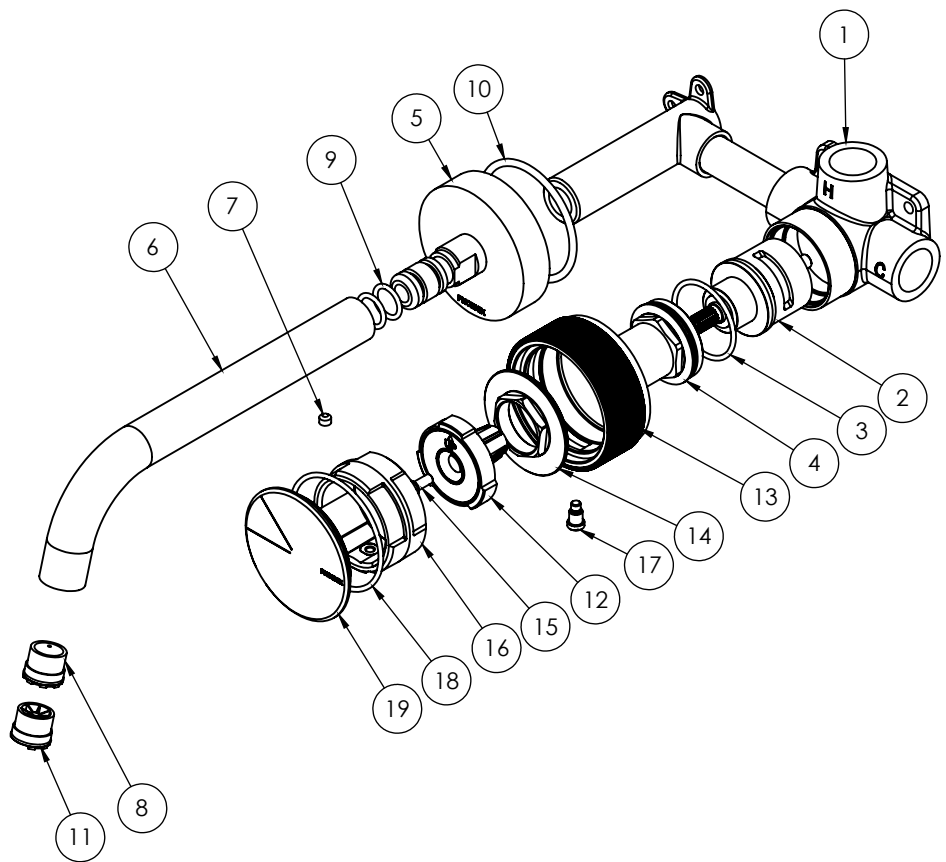
WELS:

5 STAR - 6 LT/MIN



### PARTS LIST

1. MIXER BODY
2. CARTRIDGE 33MM
3. O-RING
4. CARTRIDGE LOCKNUT
5. SPOUT WALL PLATE
6. SPOUT BODY
7. GRUB SCREW
8. AERATOR
9. O-RING
10. O-RING
11. AERATOR FLOW STRAIGHTENER
12. SPINDLE ADAPTOR
13. HANDLE DIAL
14. MIXER LOCKNUT
15. SCREW M4X10MM
16. SPINDLE SLEEVE
17. MIXER SCREW
18. O-RING
19. INDICATOR COVER



### MAINTENANCE AND CARE:

- All surfaces should be cleaned with mild liquid detergent or soap and water.
- Do not use cream cleaners or citrus based cleaning products, as they are abrasive.
- Use of unsuitable cleaning agents may damage the surface. Any damage caused in this way will not be covered by warranty.

PLEASE [CLICK HERE](#) TO VIEW FULL WARRANTY

While we aim to ensure the specifications shown are correct at time of printing, Phoenix Tapware reserves the right to make modifications without prior notice. Always use the physical product measurements for mark-ups and roughing-in as the line drawing shown may differ from the actual product over time. All measurements are shown in millimetres. Some colours may vary across product types due to differing construction materials. Printed images are a representation only and the colour or finish may vary from the actual product.

A Registered Design and Trademark of Phoenix Industries Pty. Ltd

V270420

[www.phoenixtapware.com.au](http://www.phoenixtapware.com.au)

03 9780 4200