



PHOENIX

SPECIFICATIONS

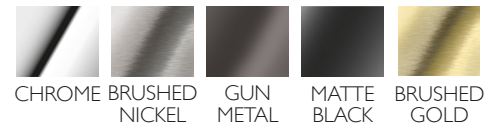
VIVID SLIMLINE PLUS

WALL BASIN / BATH CURVED OUTLET HOSTESS SET 180MM

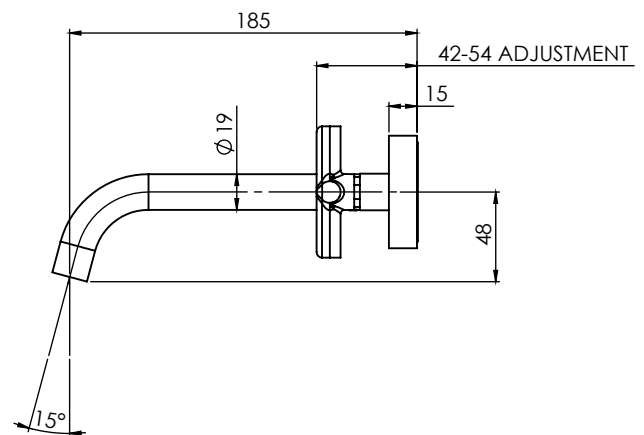
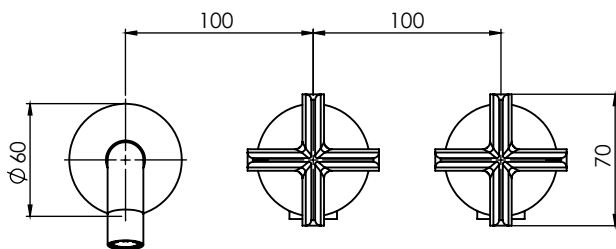
PRODUCT CODE:	119-1125-12
FINISH:	BRUSHED GOLD
WELS:	5 STAR - 6LT/MIN
INFORMATION:	
TEMPERATURE RATING:	MIN 1° - MAX 55°
PRESSURE RATING:	MIN 150 kPa - MAX 500 kPa



AVAILABLE IN:



FOR MORE INFORMATION VISIT
www.phoenixtapware.com



PLEASE [CLICK HERE](#) TO VIEW FULL WARRANTY

While we aim to ensure the specifications shown are correct at time of printing, Phoenix Tapware reserves the right to make modifications without prior notice. Always use the physical product measurements for mark-ups and roughing-in as the line drawing shown may differ from the actual product over time. All measurements are shown in millimetres. Some colours may vary across product types due to differing construction materials. Printed images are a representation only and the colour or finish may vary from the actual product.
A Registered Design and Trademark of Phoenix Industries Pty. Ltd

www.phoenixtapware.com.au
03 9780 4200



PHOENIX

SPECIFICATIONS

VIVID SLIMLINE PLUS

WALL BASIN / BATH CURVED OUTLET HOSTESS SET 180MM

PRODUCT CODE:

119-1125-12

FINISH:

BRUSHED GOLD

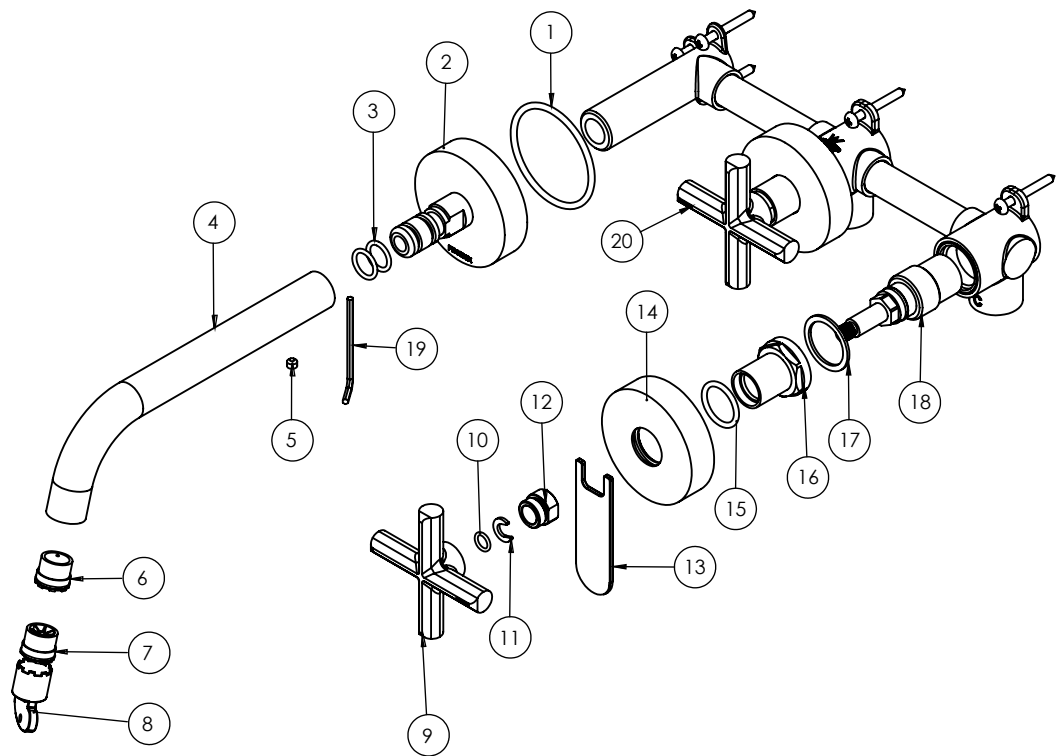
WELS:

5 STAR - 6LT/MIN



PARTS LIST

1. O-RING
2. WALL SPOUT PLATE
3. O-RING
4. CURVED WALL SPOUT BEND
5. GRUB SCREW M5X4
6. AERATOR
7. AERATOR FLOW STRAIGHTENER
8. AERATOR KEY
9. CROSS HANDLE
10. O-RING
11. C CLIP
12. ANTI VANDAL COLLET
13. ANTI VANDAL SPANNER
14. WALL FLANGE
15. O-RING
16. WALL TOP BONNET
17. O-RING
18. CARTRIDGE ASSEMBLY
19. ALLEN KEY
20. CROSS HANDLE



MAINTENANCE AND CARE:

- All surfaces should be cleaned with mild liquid detergent or soap and water.
- Do not use cream cleaners or citrus based cleaning products, as they are abrasive.
- Use of unsuitable cleaning agents may damage the surface. Any damage caused in this way will not be covered by warranty.

PLEASE [CLICK HERE](#) TO VIEW FULL WARRANTY

While we aim to ensure the specifications shown are correct at time of printing, Phoenix Tapware reserves the right to make modifications without prior notice. Always use the physical product measurements for mark-ups and roughing-in as the line drawing shown may differ from the actual product over time. All measurements are shown in millimetres. Some colours may vary across product types due to differing construction materials. Printed images are a representation only and the colour or finish may vary from the actual product.

A Registered Design and Trademark of Phoenix Industries Pty. Ltd

www.phoenixtapware.com.au

03 9780 4200