



PHOENIX

SPECIFICATIONS

NOSTALGIA

SHOWER / BATH DIVERTER MIXER

PRODUCT CODE: NS791-62
 FINISH: CHROME / WHITE
 WELS: N/A

INFORMATION:

TEMPERATURE RATING: MIN 1° - MAX 75°
 PRESSURE RATING: MIN 150 kPa - MAX 500 kPa



AVAILABLE IN:

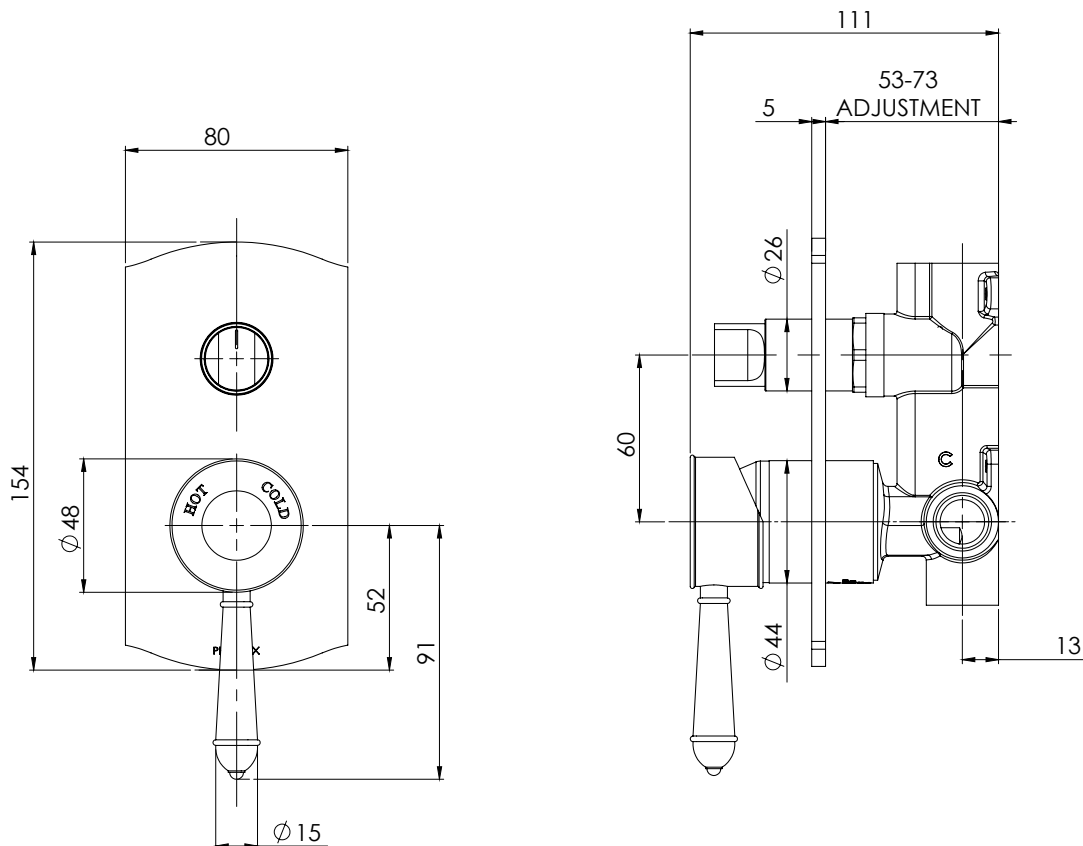


CHROME



CHROME / WHITE

FOR MORE INFORMATION VISIT www.phoenixtapware.com.au



PLEASE [CLICK HERE TO VIEW FULL WARRANTY](#)

While we aim to ensure the specifications shown are correct at time of printing, Phoenix Tapware reserves the right to make modifications without prior notice. Always use the physical product measurements for mark-ups and roughing-in as the line drawing shown may differ from the actual product over time. All measurements are shown in millimetres.

Nostalgia is a Registered Trademark of Phoenix Industries Pty. Ltd.

V231116

www.phoenixtapware.com.au
03 9780 4200



PHOENIX

SPECIFICATIONS

NOSTALGIA

SHOWER / BATH DIVERter MIXER

PRODUCT CODE:

NS791-62

FINISH:

CHROME / WHITE

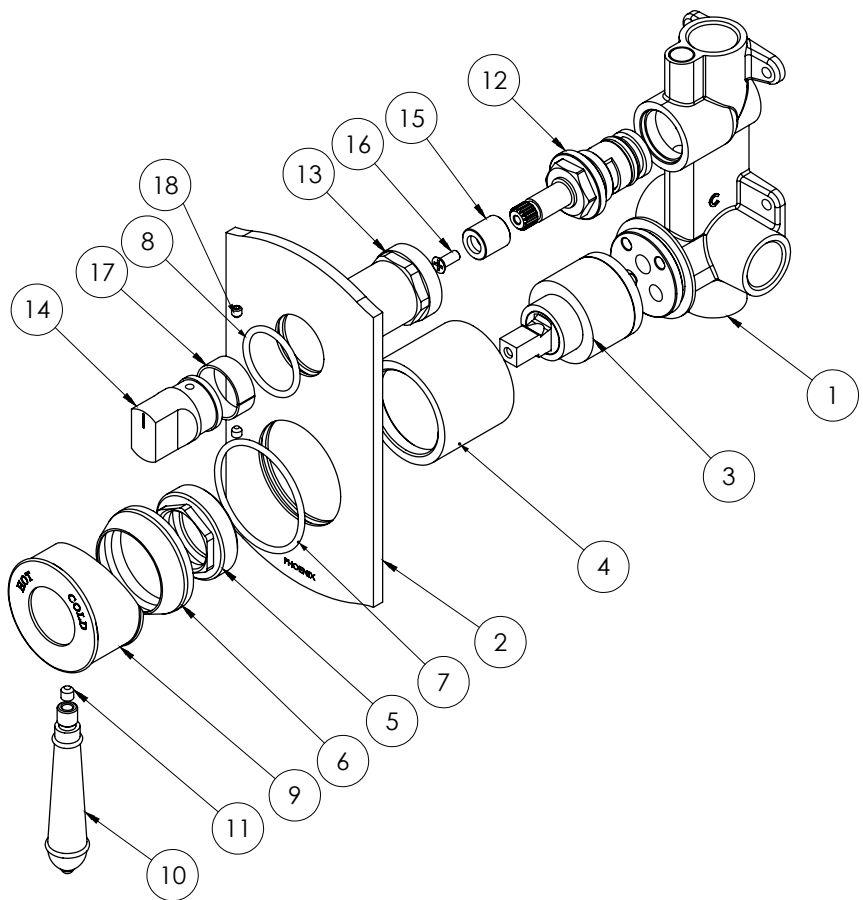
WELS:

N/A



PARTS LIST

1. WALL BREACH
2. DRESS PLATE
3. 35MM CARTRIDGE
4. MIXER BODY
5. LOCKNUT
6. DOME
7. O-RING 43X2.5MM
8. O-RING 30X2.5MM
9. HANDLE BODY
10. HANDLE PIN
11. GRUB SCREW M5X5
12. DIVERter
13. DIVERter SLEEVE
14. DIVERter BUTTON
15. DIVERter SPINDLE ADAPTOR
16. COUNTERSUNK SCREW
17. DIVERter NYLON BEARING
18. GRUB SCREW M4X4



MAINTENANCE AND CARE:

- All surfaces should be cleaned with mild liquid detergent or soap and water.
- Do not use cream cleaners or citrus based cleaning products, as they are abrasive.
- Use of unsuitable cleaning agents may damage the surface. Any damage caused in this way will not be covered by warranty.

PACKAGING INCLUDES

- 1 x Shower/ bath diverter
- 1 x Mixer handle
- 1 x Dress plate
- 1 x Installation kit
- 1 x Installation instructions
- 1 x Warranty card

PLEASE [CLICK HERE](#) TO VIEW FULL WARRANTY

While we aim to ensure the specifications shown are correct at time of printing, Phoenix Tapware reserves the right to make modifications without prior notice. Always use the physical product measurements for mark-ups and roughing-in as the line drawing shown may differ from the actual product over time. All measurements are shown in millimetres.

Nostalgia is a Registered Trademark of Phoenix Industries Pty. Ltd.

V231116

www.phoenixtapware.com.au
03 9780 4200