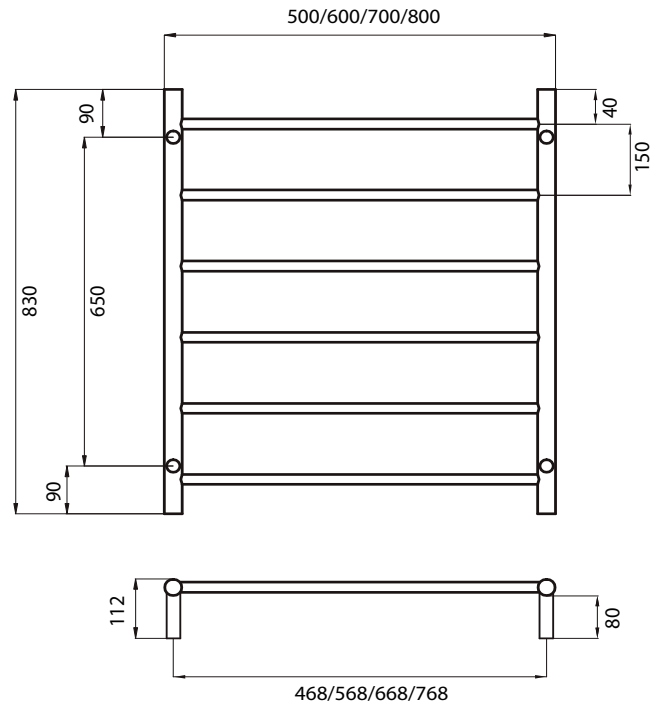


NON-HEATED

specifications

LTR01 – 500 / 600 / 700 / 800

MIRROR POLISHED AND SATIN BRUSHED
 MANUFACTURED FROM 304 GRADE
 STAINLESS STEEL
 COLOURED FINISHES MANUFACTURED
 FROM 201 GRADE STAINLESS STEEL
 10 YEAR WARRANTY FOR CONSTRUCTION /
 HEATING ELEMENT
 COATING ON COLOURED RAILS ARE
 COVERED BY A 2 YEAR WARRANTY



FEATURES

- Round bar / 6 evenly spaced bars
- Vertical bars 32mm diameter
- Horizontal bars 19mm diameter
- 112mm from wall
- Available in various widths:
500, 600, 700, 800

CODE

SIZE (MM) FINISH

LTR01-500	500x830	Polished	
LTR01-600	600x830	Polished	
LTR01-700	700x830	Polished	
LTR01-800	800x830	Polished	
BRU-LTR01-700	700x830	Satin Brushed	
BLTR01	700x830	Matt Black	
GMG-LTR01	700x830	Gun Metal Grey	
GLD-LTR01	700x830	Brushed Gold	