

Low Voltage Ladder Installation Manual



Please read through these instructions before installation

Radiant heated towel rails are manufactured to the following standard:

- AS/NZ 3350.1.2002
 - IP Rating - IP55
 - Rated voltage 12v
- SAA Approved - Certificate V 07911
Touch temperature less than 60 deg C

The towel rail is designed for drying towels and is intended for use in residential and hotel bathrooms. The towel rail must be installed in accordance with local wiring regulations and it is recommended that it is installed at least 300mm above floor level.

The towel rail is supplied with a three metre cord and must be wired by a licensed electrician via the 12v transformer.

Care of your towel rail

Radiant heated towel rails are manufactured from stainless steel and it is recommended that you clean them regularly with a soft damp cloth. If you need to use a cleaning product you should only use a product suitable for cleaning a polished stainless steel surface.

Notes:

This appliance is not intended for use by young children or infirm persons without supervision. The towel rail must be installed so that the bottom of the rail is at least 300mm above the floor to avoid a hazard.

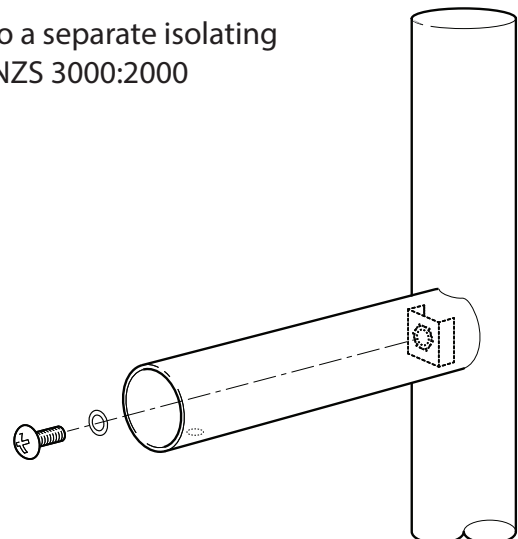
The cord extension must be positioned so that it is not subject to splashing or ingress of moisture.

If this appliance is to be hard wired it must be connected to a separate isolating switch (not included) according to the Wiring Rules in AS/NZS 3000:2000

Installation

Step 1

Fix the 4 brackets to the towel rail using the 4 short screws provided, ensuring that the grub screws are pointing downwards. You will need to tighten the brackets sufficiently so that they sit at 90 degrees to the towel rail.

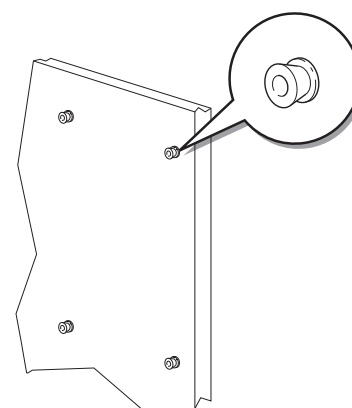
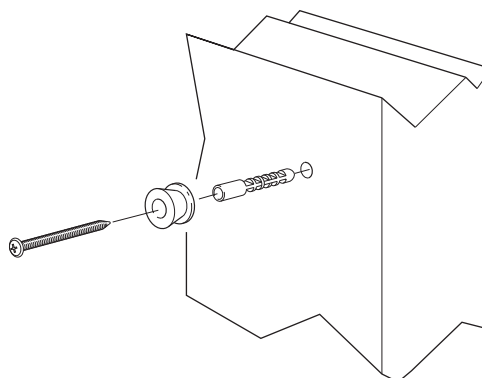


Step 2

Hold the towel rail in the required position on the wall and carefully mark the centre of the bracket positions. Use a spirit level to ensure that the marks are level and measure to ensure that they are the correct distance apart.

Drill 4 holes and attach the mounting studs as shown in the diagram.

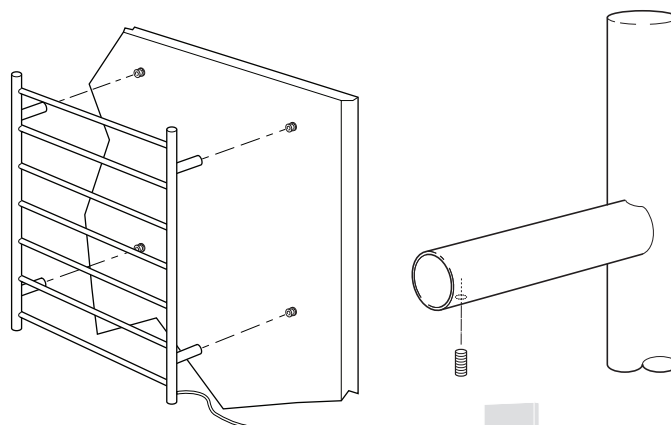
NOTE: The wall plugs provided are designed for brick walls. If you are fixing to timber studs you should use suitable timber screws. If you are fixing to plasterboard, you should use special plasterboard fixings to properly support the weight of the towel rail.



Step 3

Slide the towel rail over the mounting studs as shown and then tighten the grub screws with the allen key provided.

Once in position the towel rail can be plugged in and used immediately.



Hard Wiring Options

To hard wire the towel rail with the cable flex concealed, simply slide the 5th bracket over the wire.

This bracket is then fixed to the towel rail using the small screw provided.

The cable should then be fed through the conduit in the wall and connected to the 12v transformer, then to a separate switch or timer switch (see drawing opposite).

If the pre-wiring is already in place, a waterproof heat shrunk junction can be done by the electrician inside the concealment tube.

