



Projix Toilet Brush & Holder

Product Code:116009

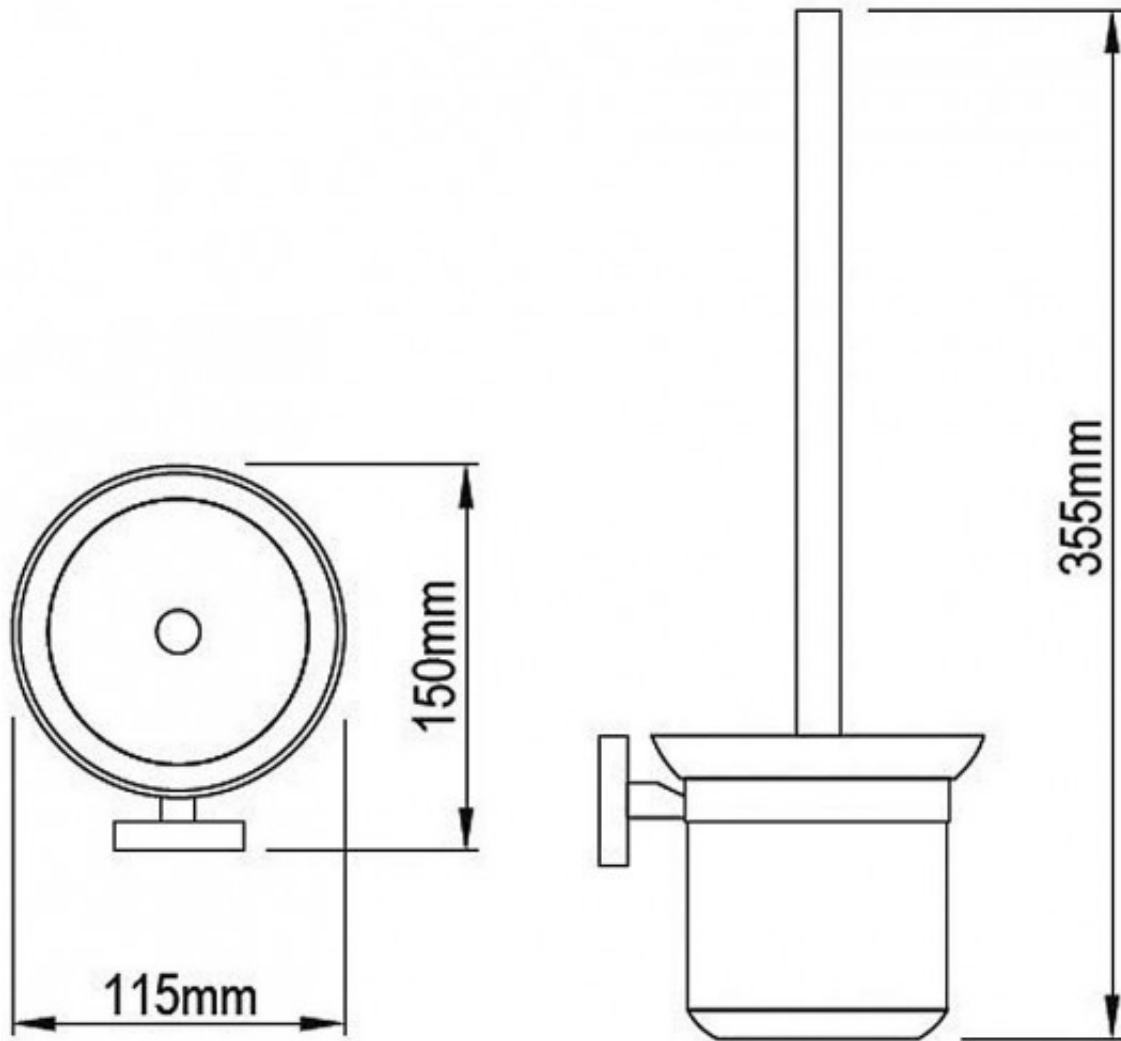
1800 RAYMOR
raymor.com.au

Raymor
more like you

Projix Toilet Brush & Holder

PRODUCT SPECIFICATION

Product Code	116009
Material	Zinc die cast & frosted glass holder
Finish	Chrome plated
Warranty	Visit www.raymor.com.au
Rail Length	N/A
Size	115mm
Wall Fixing	Single Point



Printed:27/09/2020

© Raymor 2017. All rights reserved.

Version 1 1/09/2017

All measurements are in millimetres and are to be used as a guide only. Specifications and materials may change without notice. Whilst all care has been taken to ensure that all details are correct at the time of print we reserve the right to correct any errors, inaccuracies or omissions or to change or update any details or information at any time without notice.

*Subject to terms and conditions available at raymor.com.au

Raymor
more like you