



Alor Basin Mixer

Product Code:133222

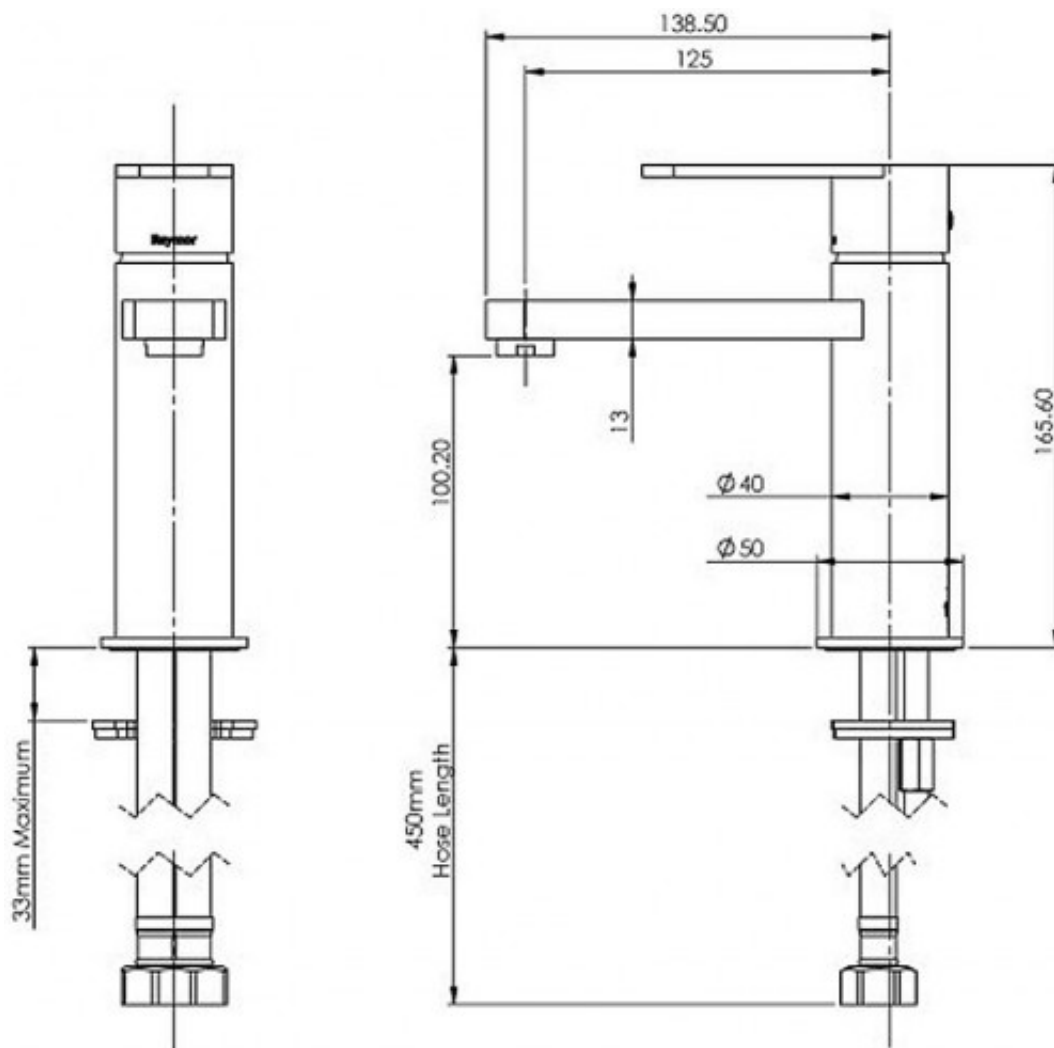
1800 RAYMOR
raymor.com.au

Raymor
more like you

Alor Basin Mixer

PRODUCT SPECIFICATION

| | |
|-----------------------------------|---|
| Product Code | 133222 |
| Material | Brass Body |
| Handle | Zinc Die Cast Handle |
| Finish | Chrome Plated |
| Handle Style | Tapered Paddle |
| Hot/Cold Indicator | Laser etched H and C on handle |
| Warranty | Visit www.raymor.com.au |
| WELS-Rating | WELS 6 STAR 4.5L/min |
| Spout Reach | 125mm - Centre of Mixer to centre of Aerator |
| Connector Tails | Stainless Steel PEX Lined |
| Sink/Basin Mixer Operation | Fixed position |
| Mixer Height | 100mm - Bench to centre of outlet |
| Bench Fixing | Threaded Rod & Horse Shoe Bracket |
| Shut Off | 25mm Ceramic Disc |
| Mount Surface | Suitable for up to 33mm bench thickness |
| Pressure | Hot and cold water inlet pressure should be equal Gravity feed not suitable |



Printed:27/09/2020

© Raymor 2017. All rights reserved.

Version 1 1/09/2017

All measurements are in millimetres and are to be used as a guide only. Specifications and materials may change without notice. Whilst all care has been taken to ensure that all details are correct at the time of print we reserve the right to correct any errors, inaccuracies or omissions or to change or update any details or information at any time without notice.

*Subject to terms and conditions available at raymor.com.au

Raymor
more like you