



Alor Bath/Shower Diverter Mixer

Product Code:133224

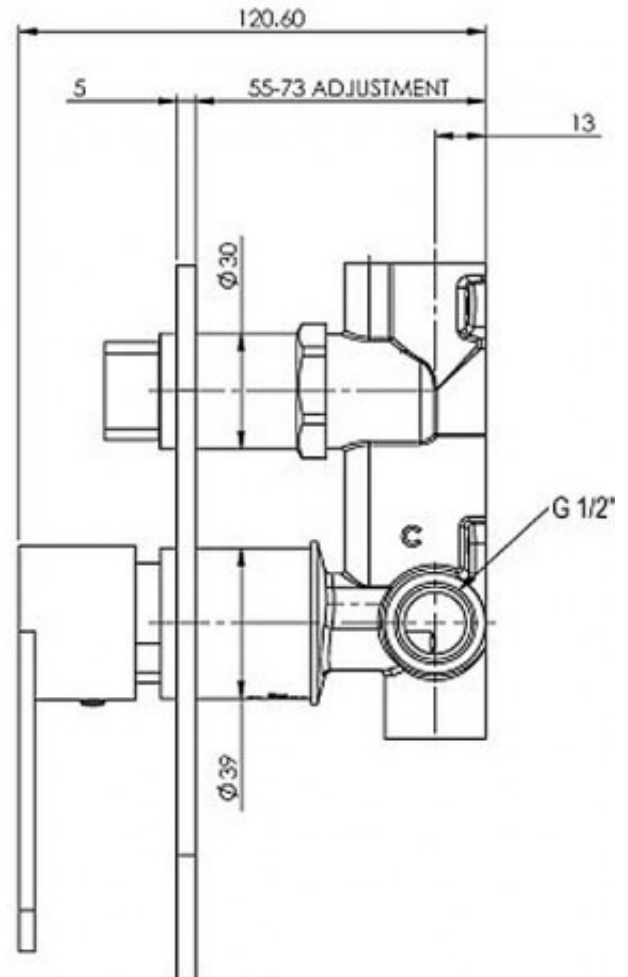
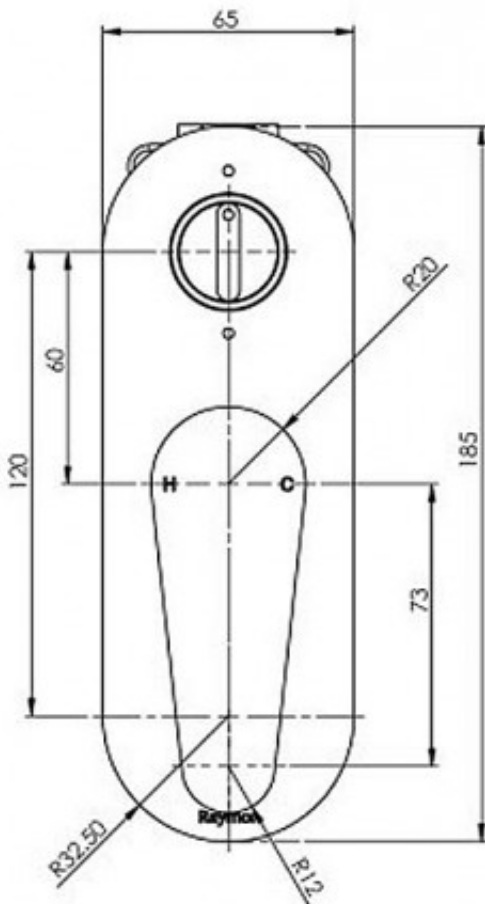
1800 RAYMOR
raymor.com.au

Raymor
more like you

Alor Bath/Shower Diverter Mixer

PRODUCT SPECIFICATION

Product Code	133224
Material	Brass 4 port one piece body
Handle	Zinc Die Cast Handle
Finish	Chrome plated
Cartridge	35mm
Handle Style	Tapered Paddle
Installation depth	73-55mm Wall adjustment
Hot/Cold Indicator	Laser etched H and C on handle
Warranty	Visit www.raymor.com.au
Wall Plate design/size	185mm x 65mm Rectangular - Full Radiused ends
Shut Off	35mm Ceramic Disc
Fixing	4 x Lugged Fixing points
Divertor Operation	Ceramic Disc Twist
Installation Depth Adjustment	55mm to 73mm
Wall Fixing	4 x Lugged Fixing points
Pressure	Hot and cold water inlet pressure should be equal Gravity feed not suitable



Printed:27/09/2020

© Raymor 2017. All rights reserved.

Version 1 1/09/2017

All measurements are in millimetres and are to be used as a guide only. Specifications and materials may change without notice. Whilst all care has been taken to ensure that all details are correct at the time of print we reserve the right to correct any errors, inaccuracies or omissions or to change or update any details or information at any time without notice.

*Subject to terms and conditions available at raymor.com.au

Raymor
more like you