



Alor Wall Bath Mixer Set

Product Code:133228

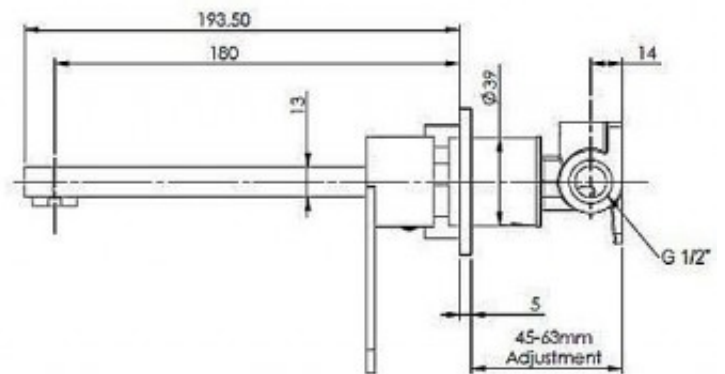
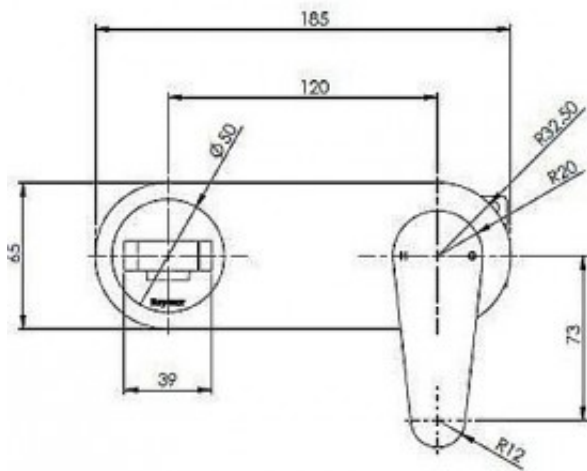
1800 RAYMOR
raymor.com.au

Raymor
more like you

Alor Wall Bath Mixer Set

PRODUCT SPECIFICATION

Product Code	133228
Material	Brass 3 port one piece body
Handle	Zinc Die Cast Handle
Finish	Chrome plated
Handle Style	Tapered Paddle
Hot/Cold Indicator	Laser etched H and C on handle
Warranty	Visit www.raymor.com.au
Spout Reach	180mm - From finished wall to centre of Aerator
Wall Plate design/size	185mm x 65mm Rectangular - Full Radiused ends
Shut Off	35mm Ceramic Disc
Fixing	4 x Lugged Fixing points
Installation Depth	45mm to 63mm
Adjustment	
Wall Fixing	4 x Lugged Fixing points
Pressure	Hot and cold water inlet pressure should be equal Gravity feed not suitable
Finish Wall Adjustment	45mm to 63mm
WELS Rating	6 Star, 4.5L per minute
WELS Registration Number	T22089



Printed:27/09/2020

© Raymor 2017. All rights reserved.

Version 1 1/09/2017

All measurements are in millimetres and are to be used as a guide only. Specifications and materials may change without notice. Whilst all care has been taken to ensure that all details are correct at the time of print we reserve the right to correct any errors, inaccuracies or omissions or to change or update any details or information at any time without notice.

*Subject to terms and conditions available at raymor.com.au

Raymor
more like you