



## Projix Bath/Shower Mixer

Product Code:133365

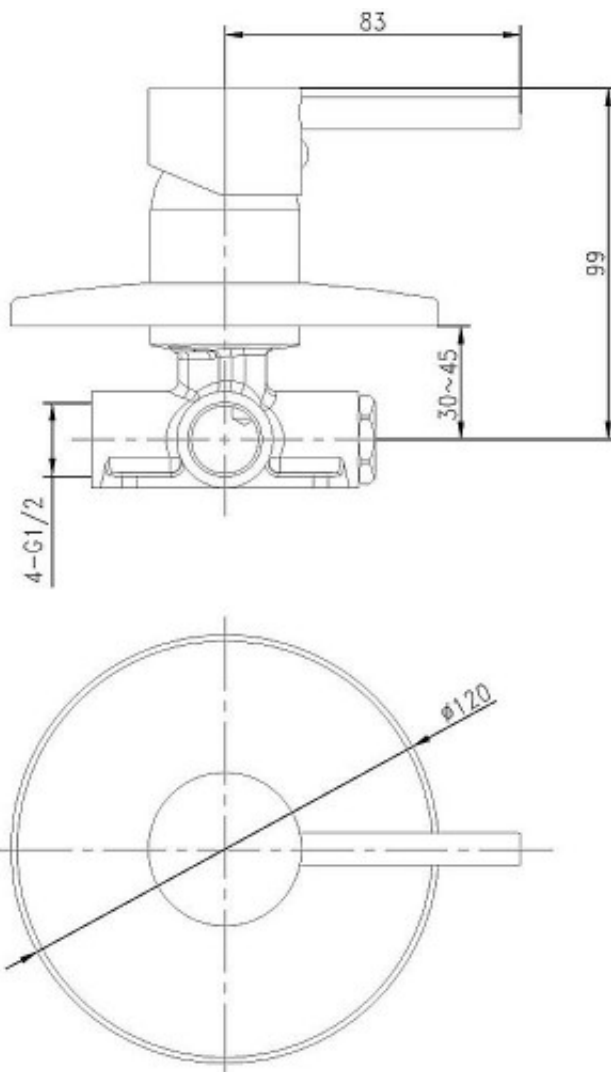
1800 RAYMOR  
raymor.com.au

**Raymor**  
*more like you*

# Projix Bath/Shower Mixer

## PRODUCT SPECIFICATION

<b>Product Code</b>	133365
<b>Material</b>	Brass 4 port one piece body
<b>Handle</b>	Zinc Die Cast Handle
<b>Finish</b>	Chrome plated
<b>Cartridge</b>	35mm
<b>Handle Style</b>	Pin Lever
<b>Hot/Cold Indicator</b>	Coloured Hot and Cold indicator button
<b>Warranty</b>	Visit <a href="http://www.raymor.com.au">www.raymor.com.au</a>
<b>Wall Plate design/size</b>	120mm Round Wall Plate
<b>Fixing</b>	4 x Lugged Fixing points
<b>Installation Depth</b>	30mm to 45mm
<b>Adjustment</b>	
<b>Wall Fixing</b>	4 x Lugged Fixing points
<b>Pressure</b>	Hot and cold water inlet pressure should be equal Gravity feed not suitable
<b>Finish Wall Adjustment</b>	30mm to 45mm



Printed:27/09/2020

© Raymor 2017. All rights reserved.

Version 1 1/09/2017

All measurements are in millimetres and are to be used as a guide only. Specifications and materials may change without notice. Whilst all care has been taken to ensure that all details are correct at the time of print we reserve the right to correct any errors, inaccuracies or omissions or to change or update any details or information at any time without notice.

\*Subject to terms and conditions available at [raymor.com.au](http://raymor.com.au)

**Raymor**  
*more like you*