



Projix Basin Mixer

Product Code:133363

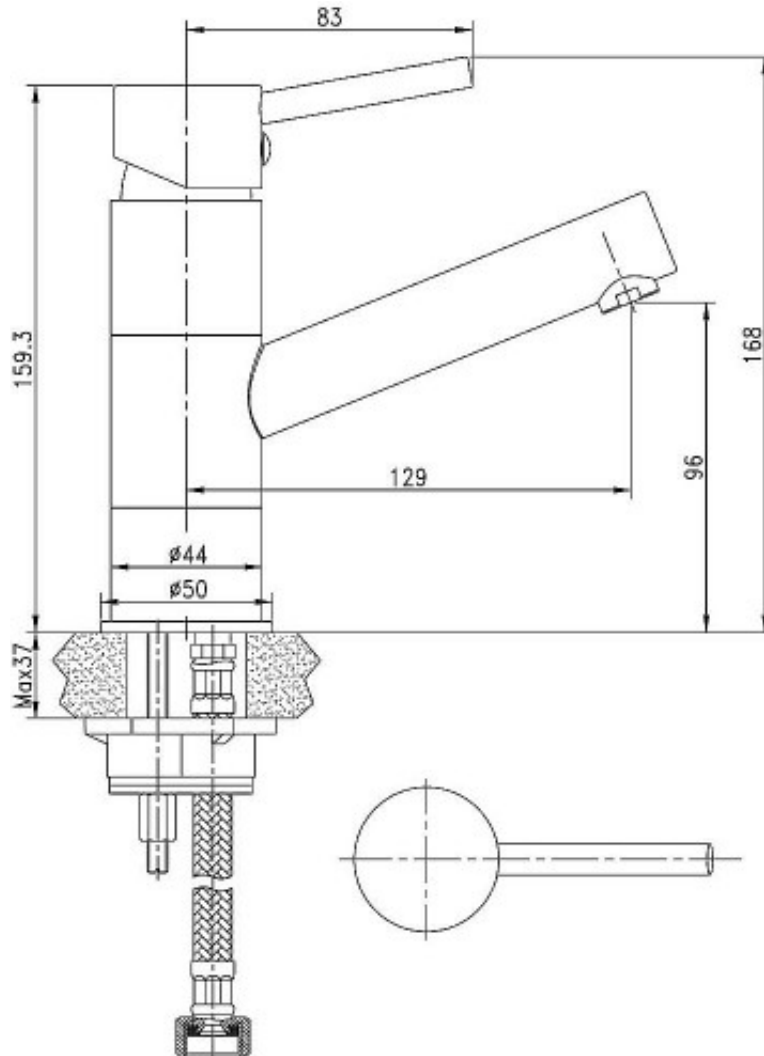
1800 RAYMOR
raymor.com.au

Raymor
more like you

Projix Basin Mixer

PRODUCT SPECIFICATION

Product Code	133363
Material	Brass Body
Handle	Zinc Die Cast Handle
Finish	Chrome Plated
Cartridge	35mm
Handle Style	Pin Lever
Hot/Cold Indicator	Coloured Hot and Cold indicator button
Warranty	Visit www.raymor.com.au
WELS-Rating	WELS 4 STAR 7.5L/min
Spout Reach	129mm - Centre of Mixer to centre of Aerator
Connector Tails	Stainless Steel PEX Lined
Sink/Basin Mixer Operation	Swivel spout
Mixer Height	96mm - Bench to centre of outlet
Bench Fixing	Threaded Rod & Horse Shoe Bracket
Mount Surface	Suitable for up to 37mm bench thickness
Pressure	Hot and cold water inlet pressure should be equal Gravity feed not suitable



Printed:27/09/2020

© Raymor 2017. All rights reserved.

Version 1 1/09/2017

All measurements are in millimetres and are to be used as a guide only. Specifications and materials may change without notice. Whilst all care has been taken to ensure that all details are correct at the time of print we reserve the right to correct any errors, inaccuracies or omissions or to change or update any details or information at any time without notice.

*Subject to terms and conditions available at raymor.com.au

Raymor
more like you