



Lawson Bath/Shower Mixer

Product Code:133321

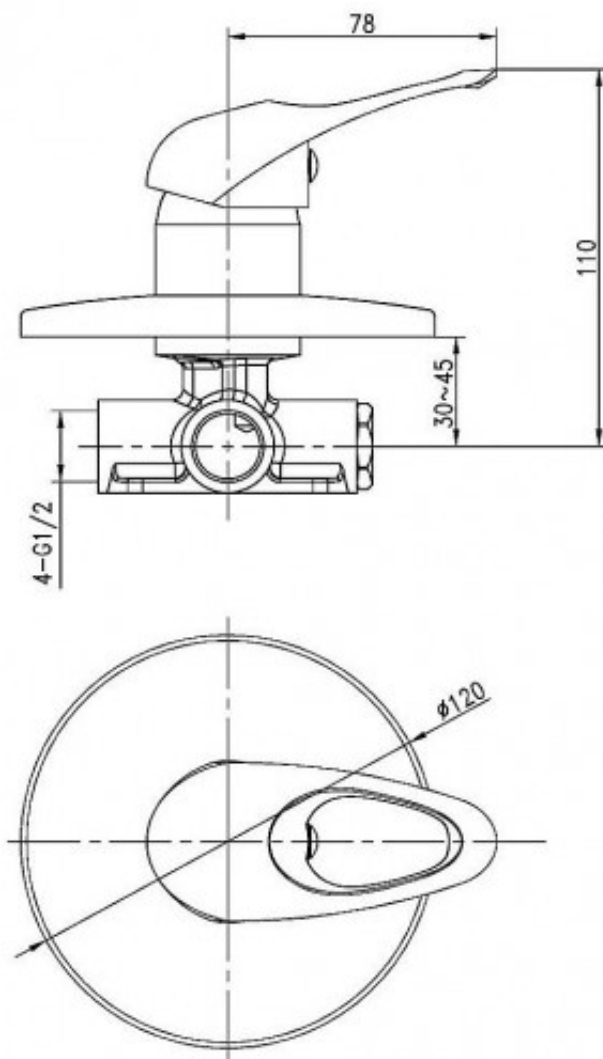
1800 RAYMOR
raymor.com.au

Raymor
more like you

Lawson Bath/Shower Mixer

PRODUCT SPECIFICATION

Product Code	133321
Material	Brass 4 port one piece body
Handle	Zinc Die Cast Handle
Finish	Chrome plated
Cartridge	35mm
Handle Style	Loop
Hot/Cold Indicator	Coloured Hot and Cold indicator button
Warranty	Visit www.raymor.com.au
Wall Plate design/size	120mm Round Wall Plate
Fixing	4 x Lugged Fixing points
Installation Depth	30mm to 45mm
Adjustment	
Wall Fixing	4 x Lugged Fixing points
Pressure	Hot and cold water inlet pressure should be equal Gravity feed not suitable
Finish Wall Adjustment	30mm to 45mm



Printed:27/09/2020

© Raymor 2017. All rights reserved.

Version 1 1/09/2017

All measurements are in millimetres and are to be used as a guide only. Specifications and materials may change without notice. Whilst all care has been taken to ensure that all details are correct at the time of print we reserve the right to correct any errors, inaccuracies or omissions or to change or update any details or information at any time without notice.

*Subject to terms and conditions available at raymor.com.au

Raymor
more like you