

Tannah Vanity Floor Standing 900mm White.

Product Code: 136010



Product Specifications.

Installation type	Floor Standing	Overflow	No
Colour	White	Plug & Waste Included	Yes - Chrome pop up plug and waste with hair catcher
Finish	Gloss	Cabinet Material	Painted MDF & Melamine coated Particle board
Warranty	20 years - vitreous china top 10 years - polymarble top, cabinet, mirrored cabinets (excluding mirror), handles, runners, hinges 5 years - plug and waste, overflow ring, and finishes 1 year mirrors (including mirrored surfaces on cabinets), seals and labour	No. Draws	2
Width	900mm	No. Doors	2
Height	877mm	Door & Draw Configuration	RH Draws, LH Doors
Depth	460mm	Handle Type	D Handles
Top type	Moulded top with intergrated basin	Runners and Hinges	Soft close door hinges and draw runners
Top Material	Vitreous china	Other variants available	
No. Bowls	1	Inclusions	Vanity top Cabinet Chrome pop up plug & waste with hair catcher Fixing kit Install instructions
Bowl Orientation	Centre	Maintenance & Care	Surfaces should be regularly cleaned with a soft, dampened cloth or sponge with warm, soapy water. Do not use abrasive brushes, scourers or harsh chemicals as these can damage the finish
Tap Hole	1		
Tap Hole Orientation	12 o'clock		

For more information call 1800 BATHROOM (1800 228 476) or visit raymor.com.au

© Registered trademark of Tradelink. All dimensions are in millimetres. Dimensions are approximate and should be checked against the physical product before installation. Changes may be made to this specification without notice due to our commitment to continual improvement. See raymor.com.au for full warranty details.

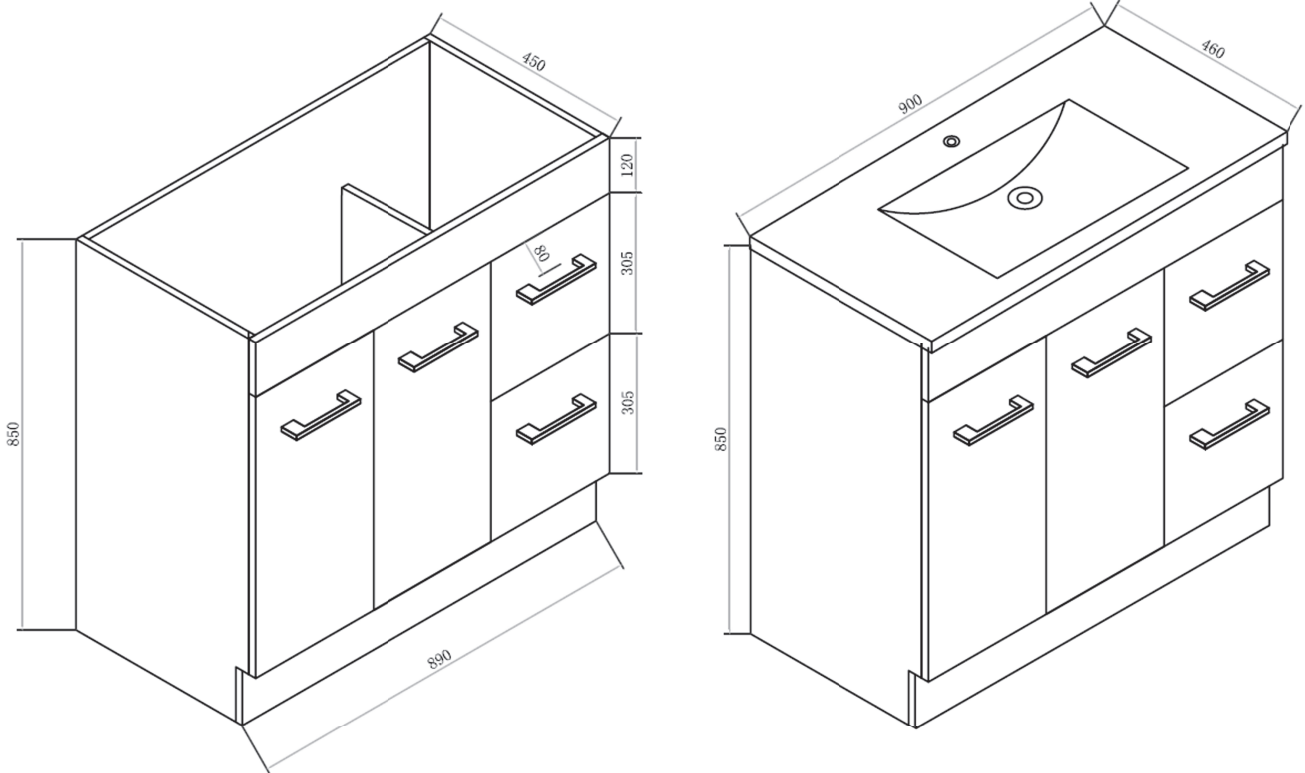
All dimensions in mm.

Version 1

raymor

Tannah Vanity Floor Standing 900mm White.

Product Code: 136010



For more information call 1800 BATHROOM (1800 228 476) or visit raymor.com.au

© Registered trademark of Tradelink. All dimensions are in millimetres. Dimensions are approximate and should be checked against the physical product before installation. Changes may be made to this specification without notice due to our commitment to continual improvement. See raymor.com.au for full warranty details.
All dimensions in mm.

Version 1

raymor