



Projix Bath/Shower Mixer (Square Wall Plate)

Product Code:136015

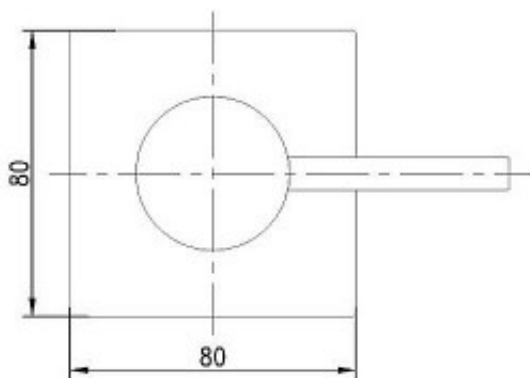
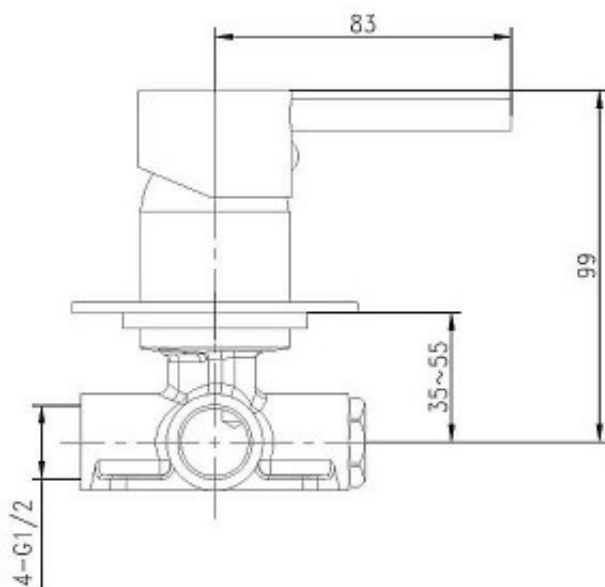
1800 RAYMOR
raymor.com.au

Raymor
more like you

Projix Bath/Shower Mixer (Square Wall Plate)

PRODUCT SPECIFICATION

Product Code	136015
Material	Brass 4 port one piece body
Handle	Zinc Die Cast Handle
Finish	Chrome plated
Handle Style	Pin Lever
Hot/Cold Indicator	Coloured Hot and Cold indicator button
Warranty	Visit www.raymor.com.au
Wall Plate design/size	80mm Square Wall plate
Shut Off	35mm Ceramic Disc
Fixing	4 x Lugged Fixing points
Installation Depth Adjustment	35mm to 55mm
Wall Fixing Pressure	Hot and cold water inlet pressure should be equal Gravity feed not suitable
Finish Wall Adjustment	35mm to 55mm



Printed:27/09/2020

© Raymor 2017. All rights reserved.

Version 1 1/09/2017

All measurements are in millimetres and are to be used as a guide only. Specifications and materials may change without notice. Whilst all care has been taken to ensure that all details are correct at the time of print we reserve the right to correct any errors, inaccuracies or omissions or to change or update any details or information at any time without notice.

*Subject to terms and conditions available at raymor.com.au

Raymor
more like you