



Projix Fixed Spout Basin Mixer

Product Code:156283

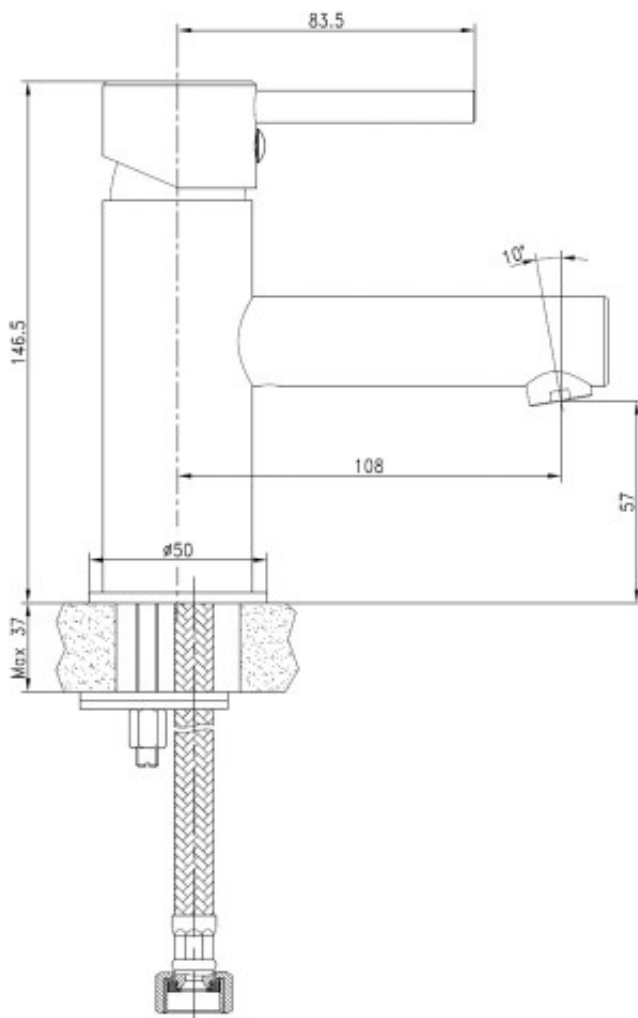
1800 RAYMOR
raymor.com.au

Raymor
more like you

Projix Fixed Spout Basin Mixer

PRODUCT SPECIFICATION

Product Code	156283
Material	Brass Body
Handle	Zinc
Finish	Chrome plated
Handle Style	Pin
Hot/Cold Indicator	Red and blue dots on handle
Inclusions	Installation Instructions
Warranty	Visit raymor.com.au
WELS-Rating	WELS 5 STAR 6L/min
Spout Reach	108mm - Centre of mixer to centre of aerator
Connector Tails	Stainless Steel PEX Lined
Sink/Basin Mixer Operation	Fixed spout
Mixer Height	146mm - Bench to centre of outlet
Bench Fixing	Threaded Rod & Horse Shoe Bracket
Shut Off	Ceramic Disc
Mount Surface	Suitable for up to 37mm bench thickness
Pressure	Hot and cold water inlet pressure should be equal Gravity feed not suitable



Printed:27/09/2020

© Raymor 2017. All rights reserved.

All measurements are in millimetres and are to be used as a guide only. Specifications and materials may change without notice. Whilst all care has been taken to ensure that all details are correct at the time of print we reserve the right to correct any errors, inaccuracies or omissions or to change or update any details or information at any time without notice.

*Subject to terms and conditions available at raymor.com.au

Raymor
more like you