



## Alpha Tower Basin Mixer

Product Code:150009

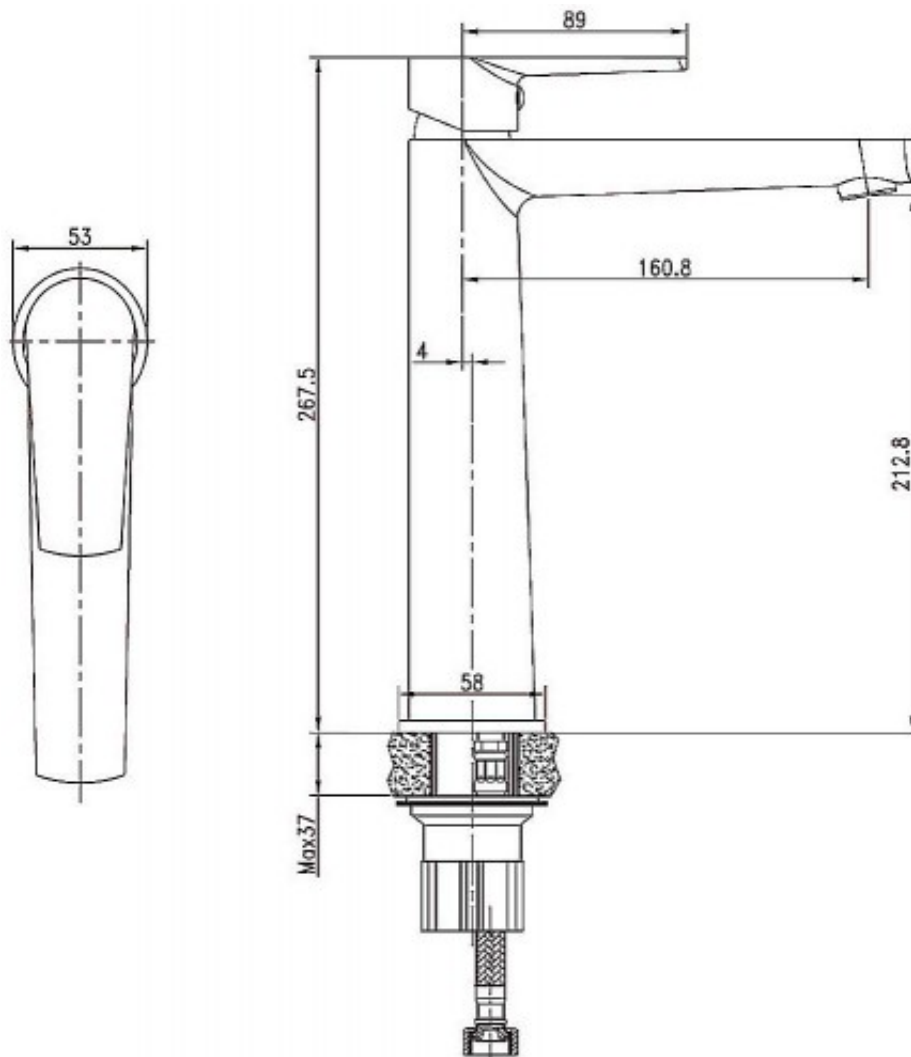
1800 RAYMOR  
[raymor.com.au](http://raymor.com.au)

**Raymor**  
*more like you*

# Alpha Tower Basin Mixer

## PRODUCT SPECIFICATION

<b>Product Code</b>	150009
<b>Material</b>	Brass Body
<b>Handle</b>	Zinc Die Cast Handle
<b>Finish</b>	Chrome Plated
<b>Handle Style</b>	Paddle
<b>Hot/Cold Indicator</b>	Red and Blue indicator Dots on handle
<b>Warranty</b>	Visit <a href="http://www.raymor.com.au">www.raymor.com.au</a>
<b>WELS-Rating</b>	WELS 4 STAR 7.5L/min
<b>Spout Reach</b>	160mm - Centre of Mixer to centre of Aerator
<b>Connector Tails</b>	Stainless Steel PEX Lined
<b>Sink/Basin Mixer Operation</b>	Fixed position
<b>Mixer Height</b>	212mm - Bench to centre of outlet
<b>Bench Fixing</b>	Threaded tube socket
<b>Shut Off</b>	35mm Ceramic Disc
<b>Mount Surface</b>	Suitable for up to 37mm bench thickness
<b>Pressure</b>	Hot and cold water inlet pressure should be equal Gravity feed not suitable



Printed:27/09/2020

© Raymor 2017. All rights reserved.

Version 1 1/09/2017

All measurements are in millimetres and are to be used as a guide only. Specifications and materials may change without notice. Whilst all care has been taken to ensure that all details are correct at the time of print we reserve the right to correct any errors, inaccuracies or omissions or to change or update any details or information at any time without notice.

\*Subject to terms and conditions available at [raymor.com.au](http://raymor.com.au)

**Raymor**  
*more like you*