



Banjo Brass Cartridge Sink Mixer

Product Code:154377

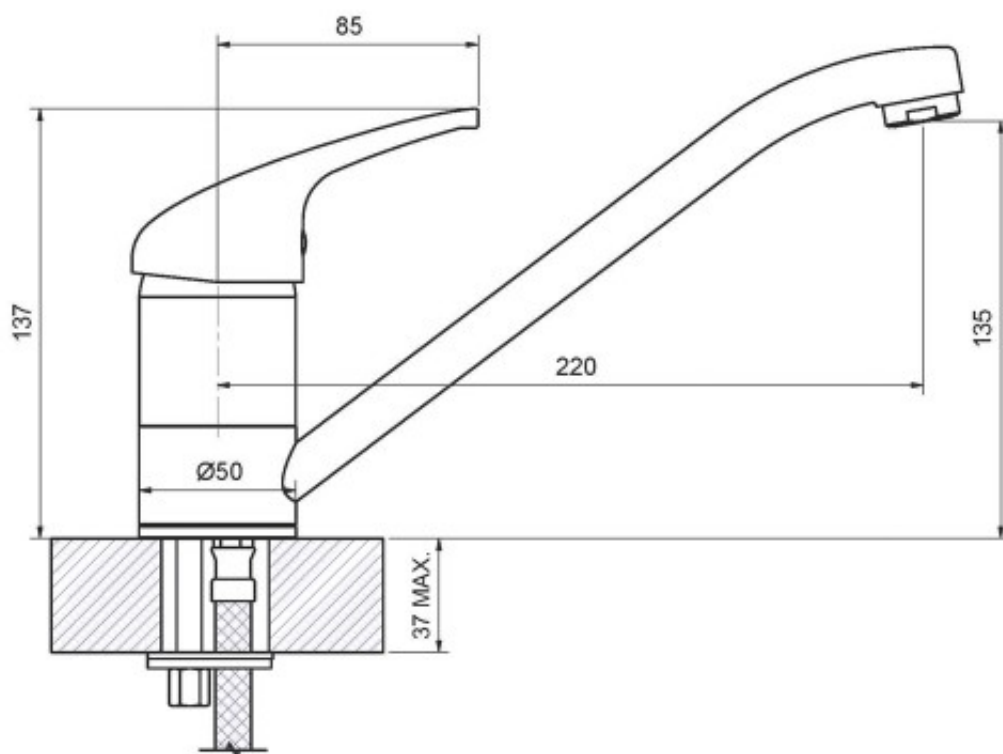
1800 RAYMOR
raymor.com.au

Raymor
more like you

Banjo Brass Cartridge Sink Mixer

PRODUCT SPECIFICATION

Product Code	154377
Finish	Chrome plated
Handle Style	Conventional radiused end
Hot/Cold Indicator	Coloured Hot and Cold indicator button
Inclusions	Installation Instructions
Warranty	Visit raymor.com.au
WELS-Rating	WELS 4 STAR 7.5L/min
Spout Reach	225mm - Centre of mixer to centre of aerator
Connector Tails	Stainless Steel PEX Lined
Sink/Basin Mixer Operation	Swivel spout
Mixer Height	135mm - Bench to centre of outlet
Bench Fixing	Threaded Rod & Horse Shoe Bracket
Shut Off	Ceramic Disc
Mount Surface Pressure	Suitable for up to 36mm bench thickness Hot and cold water inlet pressure should be equal Gravity feed not suitable



Printed:27/09/2020

© Raymor 2017. All rights reserved.

All measurements are in millimetres and are to be used as a guide only. Specifications and materials may change without notice. Whilst all care has been taken to ensure that all details are correct at the time of print we reserve the right to correct any errors, inaccuracies or omissions or to change or update any details or information at any time without notice.

*Subject to terms and conditions available at raymor.com.au

Raymor
more like you