

Projix Inset Basin

Product Code: 157304

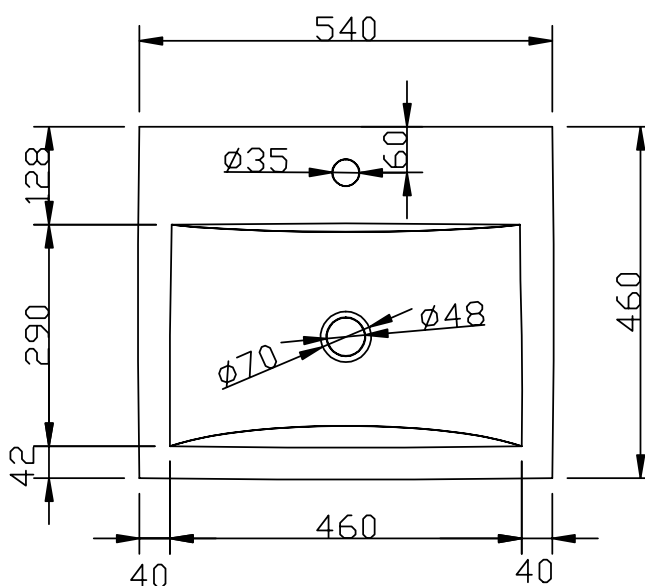
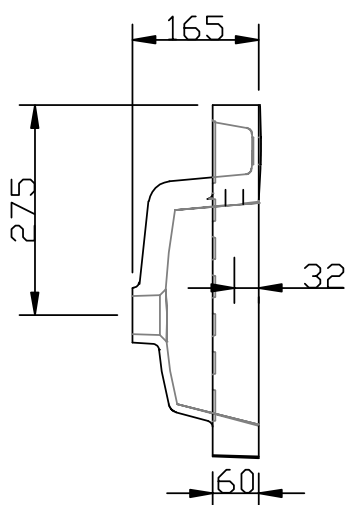
All dimensions in mm

| | |
|-----------------|--|
| Includes | Chrome Plug & Waste Chrome overflow ring |
| Warranty | 20 years - vitreous china 5 years - plug & waste, overflow ring, bottle trap, chrome plated, PVD and electroplate finishes, fittings 1 year - seals and labour |



Product Specifications

| | |
|-----------------------|----------------|
| Colour | White |
| Material | Vitreous china |
| Width | 540mm |
| Height | 165mm |
| Depth | 460mm |
| Capacity | 4.6L |
| Installation | Inset |
| Tap holes | 1 tap hole |
| Overflow | Yes |
| Waste included | Yes |



For more information call 1800 BATHROOM (1800 228 476) or visit raymor.com.au

© Registered trademark of Tradelink. All dimensions are in millimetres. Dimensions are approximate and should be checked against the physical product before installation. Changes may be made to this specification without notice due to our commitment to continual improvement. See raymor.com.au for full warranty details.

Raymor[®]