



## Boston II Double Towel Rail 650mm Black

Product Code:156577

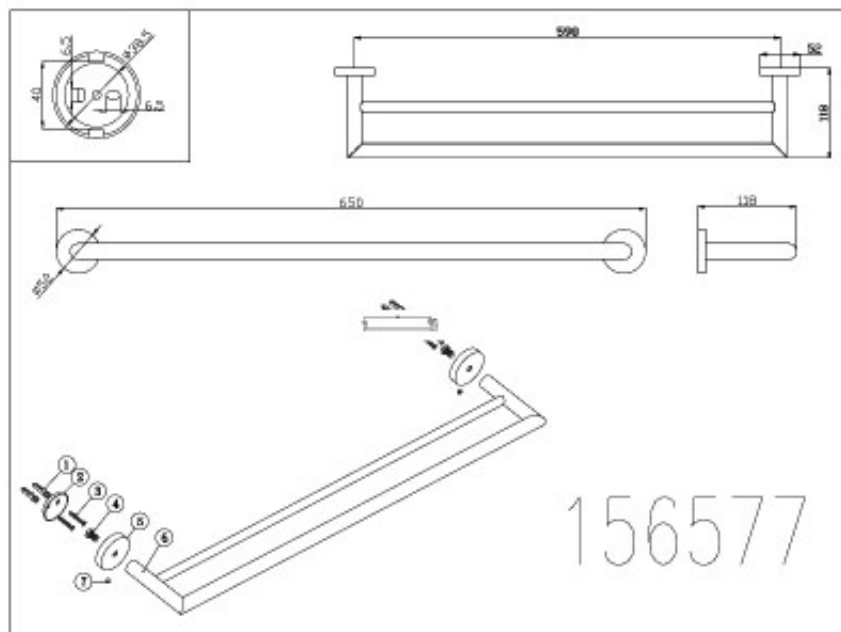
1800 RAYMOR  
raymor.com.au

**Raymor**  
*more like you*

# Boston II Double Towel Rail 650mm Black

## PRODUCT SPECIFICATION

<b>Product Code</b>	156577
<b>Material</b>	Brass Construction
<b>Finish</b>	Powder Coated Matte Black Finish
<b>Inclusions</b>	Installation Instructions
<b>Warranty</b>	Visit <a href="http://raymor.com.au">raymor.com.au</a>



Printed:27/09/2020

© Raymor 2017. All rights reserved.

All measurements are in millimetres and are to be used as a guide only. Specifications and materials may change without notice. Whilst all care has been taken to ensure that all details are correct at the time of print we reserve the right to correct any errors, inaccuracies or omissions or to change or update any details or information at any time without notice.

\*Subject to terms and conditions available at [raymor.com.au](http://raymor.com.au)

**Raymor**  
*more like you*