



Slice Bath & Shower Mixer

Product Code:167680

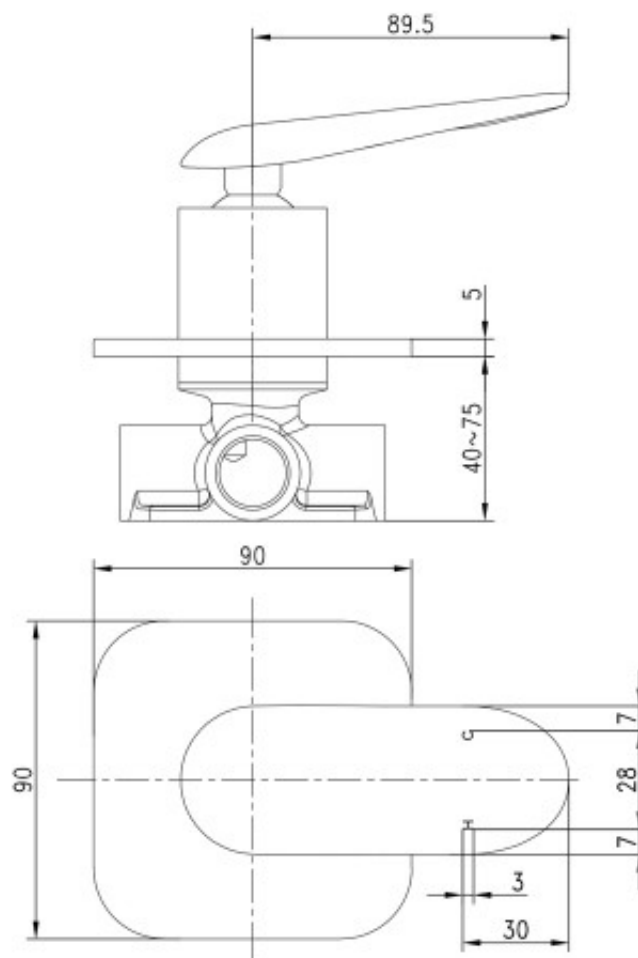
1800 RAYMOR
raymor.com.au

Raymor
more like you

Slice Bath & Shower Mixer

PRODUCT SPECIFICATION

Product Code	167680
Material	Brass body
Handle	Zinc Die Cast
Finish	Chrome plated
Handle Style	Paddle
Hot/Cold Indicator	H & C etching on handle
Inclusions	Installation Instructions
Warranty	Visit raymor.com.au
Item Colour	Chrome
Thickness	5mm wall plate
Wall Plate design/size	90mm x 90mm
Mounting	Wall
Pressure	Hot and cold water inlet pressure should be equal Gravity feed not suitable



Printed:27/09/2020

© Raymor 2017. All rights reserved.

All measurements are in millimetres and are to be used as a guide only. Specifications and materials may change without notice. Whilst all care has been taken to ensure that all details are correct at the time of print we reserve the right to correct any errors, inaccuracies or omissions or to change or update any details or information at any time without notice.

*Subject to terms and conditions available at raymor.com.au

Raymor
more like you