



## Slice Basin Mixer

Product Code:167678

1800 RAYMOR  
[raymor.com.au](http://raymor.com.au)

**Raymor**  
*more like you*

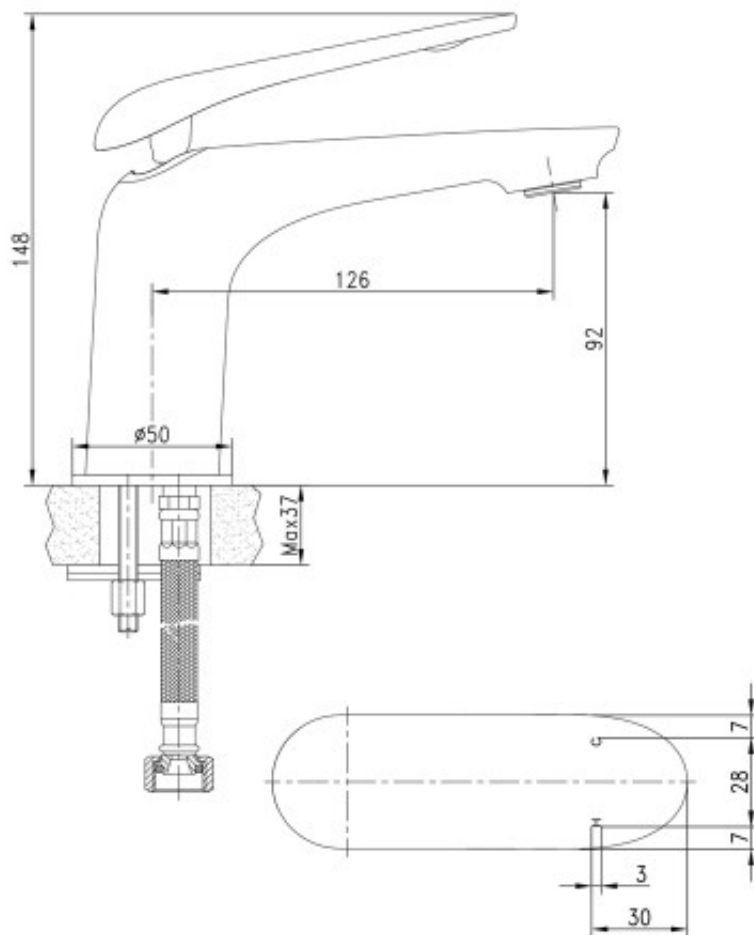
# Slice Basin Mixer

## PRODUCT SPECIFICATION

<b>Product Code</b>	167678
<b>Material</b>	Brass body
<b>Handle</b>	Zinc Die Cast
<b>Finish</b>	Chrome plated
<b>Handle Style</b>	Paddle
<b>Hot/Cold Indicator</b>	H & C etching on handle
<b>Inclusions</b>	Installation Instructions
<b>Warranty</b>	Visit raymor.com.au
<b>Item Colour</b>	Chrome
<b>WELS-Rating</b>	WELS 5 Star 6.0L/min
<b>Spout Reach</b>	126mm
<b>Connector Tails</b>	Flexible TPSIV hose with nylon braid
<b>Mixer Height</b>	148mm
<b>Bench Fixing</b>	Threaded Rod & Horse Shoe Bracket
<b>Shut Off</b>	35mm Ceramic Disc
<b>Mounting</b>	Hob
<b>Pressure</b>	Hot and cold water inlet pressure should be equal Gravity feed not suitable

## SPARE PARTS

190075



Printed:27/09/2020

© Raymor 2017. All rights reserved.

All measurements are in millimetres and are to be used as a guide only. Specifications and materials may change without notice. Whilst all care has been taken to ensure that all details are correct at the time of print we reserve the right to correct any errors, inaccuracies or omissions or to change or update any details or information at any time without notice.

\*Subject to terms and conditions available at raymor.com.au

**Raymor**  
more like you