



## Slice Bath & Shower Mixer with Diverter

Product Code:167681

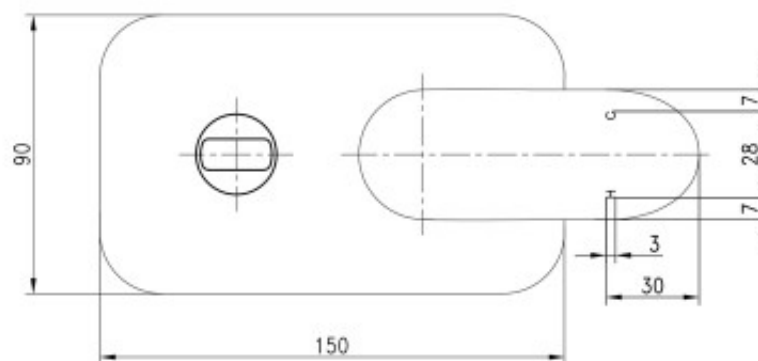
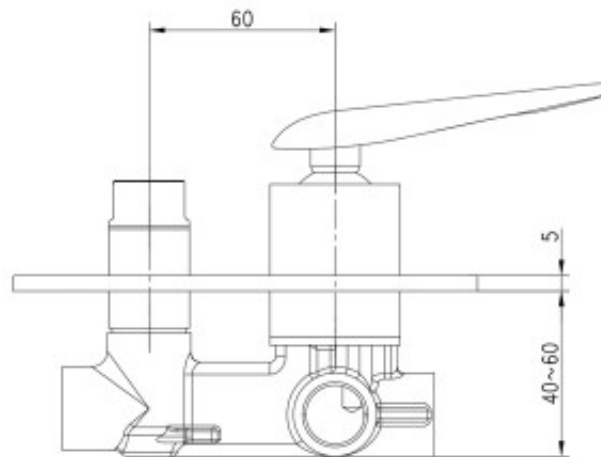
1800 RAYMOR  
[raymor.com.au](http://raymor.com.au)

**Raymor**  
*more like you*

# Slice Bath & Shower Mixer with Diverter

## PRODUCT SPECIFICATION

<b>Product Code</b>	167681
<b>Material</b>	Brass body
<b>Handle</b>	Zinc Die Cast
<b>Finish</b>	Chrome plated
<b>Handle Style</b>	Paddle
<b>Hot/Cold Indicator</b>	H & C etching on handle
<b>Inclusions</b>	Installation Instructions
<b>Warranty</b>	Visit raymor.com.au
<b>Item Colour</b>	Chrome
<b>Thickness</b>	5mm wall plate
<b>Wall Plate design/size</b>	90mm x 150mm
<b>Mounting</b>	Wall
<b>Diverter Operation</b>	Rotary Diverter
<b>Pressure</b>	Hot and cold water inlet pressure should be equal Gravity feed not suitable



Printed:27/09/2020

© Raymor 2017. All rights reserved.

All measurements are in millimetres and are to be used as a guide only. Specifications and materials may change without notice. Whilst all care has been taken to ensure that all details are correct at the time of print we reserve the right to correct any errors, inaccuracies or omissions or to change or update any details or information at any time without notice.

\*Subject to terms and conditions available at raymor.com.au

**Raymor**  
more like you