



Wall Mount Curved Arm, Square

Product Code:168644

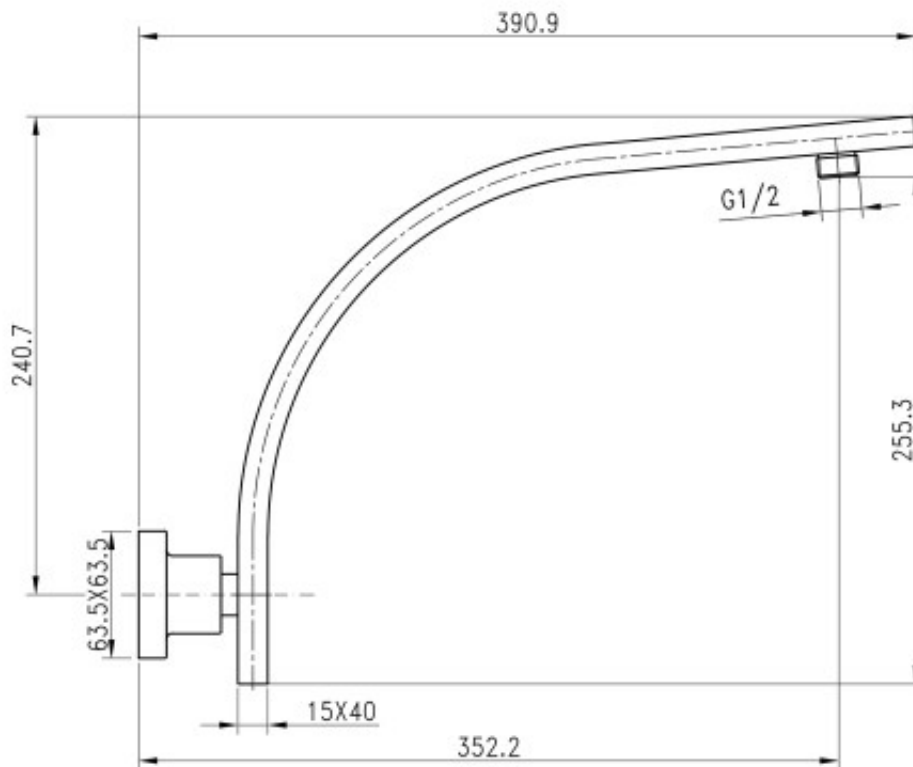
1800 RAYMOR
raymor.com.au

Raymor
more like you

Wall Mount Curved Arm, Square

PRODUCT SPECIFICATION

Product Code	168644
Material	Brass
Finish	Electroplate black
Inclusions	Installation Instructions
Warranty	Visit raymor.com.au
Item Colour	Black
Arm Design	Curved
Wall Plate	Square
design/size	
Connection	1/2
Mounting	Wall
Arm Reach	352mm



Printed:27/09/2020

© Raymor 2017. All rights reserved.

All measurements are in millimetres and are to be used as a guide only. Specifications and materials may change without notice. Whilst all care has been taken to ensure that all details are correct at the time of print we reserve the right to correct any errors, inaccuracies or omissions or to change or update any details or information at any time without notice.

*Subject to terms and conditions available at raymor.com.au

Raymor
more like you