

# Shower Arm Wall Mount Curved Round Rail Black.

Product Code: 168643



## Product Specifications.

<b>Warranty</b>	20 years - main brass body, wall elbow, shower arm, shower rail, PVC coated hose, showerhead, handpiece, slide bracket, diverter assembly, soap dish, and chrome plated finish 5 years - PVD and electroplate finishes 1 year - seals and labour
-----------------	--

<b>Colour</b>	Black
<b>Finish</b>	Electroplating

<b>Installation Type</b>	Wall mount
--------------------------	------------

<b>Material</b>	Brass
-----------------	-------

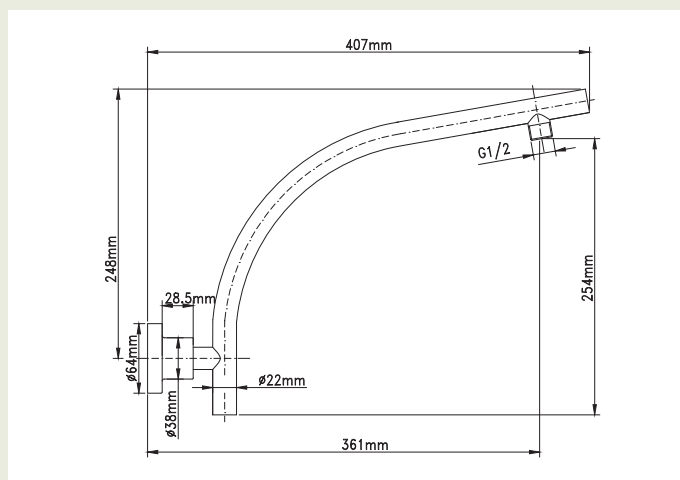
<b>Arm Design</b>	Curved
-------------------	--------

<b>Rail Shape</b>	Round
-------------------	-------

<b>Inlet Connection</b>	1/2" BSP Female
-------------------------	-----------------

<b>Outlet Connection</b>	1/2" BSP Male
--------------------------	---------------

<b>Reach</b>	361mm
--------------	-------



### Length

<b>Inclusions</b>	Arm with flange Install instructions
-------------------	---

### Maintenance & Care

Clean using a soft sponge or cloth with warm soapy water or detergent. Never use abrasive brushes or scourer pads to clean products. Rinse with water immediately after using any cleaning solution

For more information call 1800 BATHROOM (1800 228 476) or visit [raymor.com.au](http://raymor.com.au)

© Registered trademark of Tradelink. All dimensions are in millimetres. Dimensions are approximate and should be checked against the physical product before installation. Changes may be made to this specification without notice due to our commitment to continual improvement. See [raymor.com.au](http://raymor.com.au) for full warranty details.

All dimensions in mm.

Version 1

**raymor**