



## Wall Mount Right Angle Arm, Square

Product Code:168642

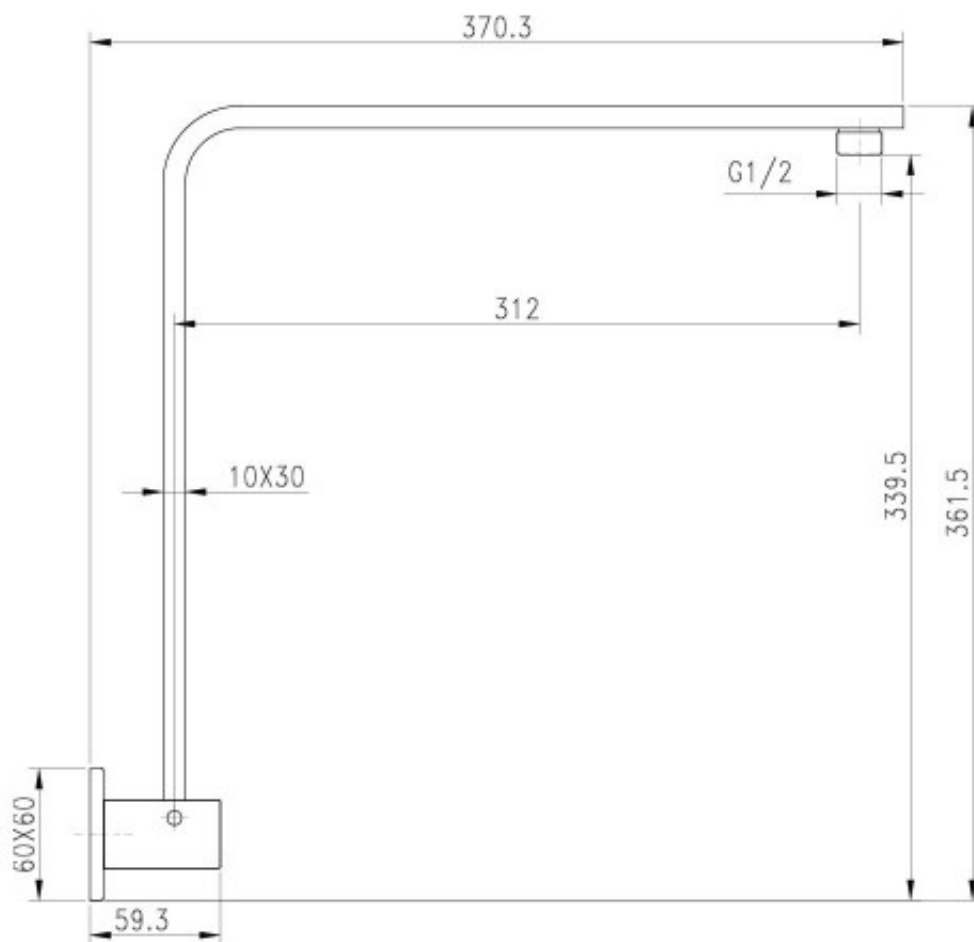
1800 RAYMOR  
raymor.com.au

**Raymor**  
*more like you*

# Wall Mount Right Angle Arm, Square

## PRODUCT SPECIFICATION

<b>Product Code</b>	168642
<b>Material</b>	Brass
<b>Finish</b>	Electroplate black
<b>Inclusions</b>	Installation Instructions
<b>Warranty</b>	Visit raymor.com.au
<b>Item Colour</b>	Black
<b>Arm Design</b>	Right angle
<b>Wall Plate design/size</b>	Square
<b>Connection</b>	1/2" BSP Male at outlet, 1/2" BSP Female at wall
<b>Mounting</b>	Wall
<b>Arm Reach</b>	312mm



Printed:27/09/2020

© Raymor 2017. All rights reserved.

All measurements are in millimetres and are to be used as a guide only. Specifications and materials may change without notice. Whilst all care has been taken to ensure that all details are correct at the time of print we reserve the right to correct any errors, inaccuracies or omissions or to change or update any details or information at any time without notice.

\*Subject to terms and conditions available at raymor.com.au

**Raymor**  
more like you