

Installation Instructions

General Note: This product is to be installed by a licensed plumber, installation must comply with AS/NZS 3500 and local plumbing codes.

Pressures & Temperatures

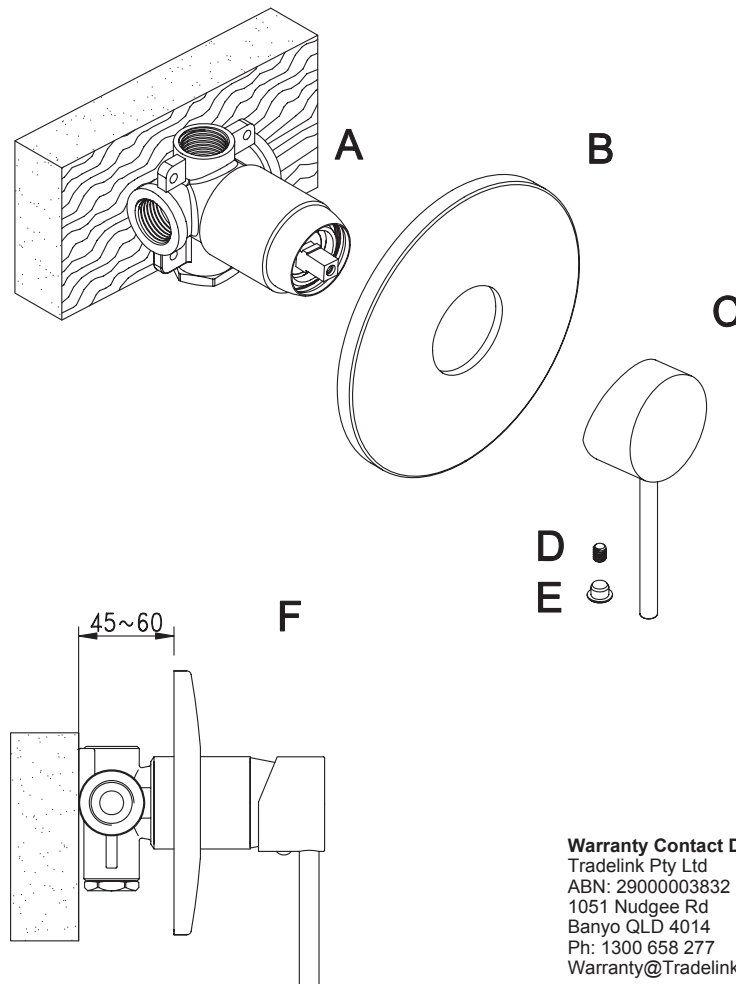
Maximum Hydrostatic Pressure – 500 kpa. (As per AS/NZS3500)

Note: AS/NZS 3500.1-2003 (Clause 3.3.4) states that “Provision shall be made to ensure that the maximum static pressure at any outlet, other than a fire service outlet, within a building does not exceed 500 kPa.

Note: Pressures above 500kPa can cause damage from water hammer, reduced life of appliances, taps and fittings, and cause excessive noise in the system.

Minimum Hydrostatic Pressure – 100 kpa

The Maximum operating temperature for the Mixer Tap is 65°C.



Please ensure that the lines are flushed prior to installation as contaminates in the water can damage the Ceramic Cartridge, flow regulator and also affect the performance of the Mixer.

1. Remove product from packaging and check for damages, if the product is damaged do not install and return to store of purchase.
2. Ensure Product is complete as per exploded drawing.
3. All Shower and Shower Divertor Mixers are supplied with Plastic Protection Body covers, ensure the body cover is on the mixer body and Twist dial on divertor Mixers prior to installation.
4. Screw Mixer Body (A) to the Stud Wall or Brick Cavity taking into account set out minimum and maximum from back of Mixer to Finished Wall (F).
5. Install Water supply to Mixer body, Left (Hot), Right (Cold) as per AS3500 and Local Authority requirements.
6. Install water supply lines for shower and/or bath outlets.

N.B Shower/Bath Mixers (Not Divertor Mixers) are a four Port Body with a Brass Threaded Bung screwed into the Bath outlet port, for Bath installation move the threaded Brass Bung to the Shower outlet port. DO NOT turn Mixer upside down as the Mixer will not function correctly.

7. Once wall sheeting and tiles have been fitted seal around the Mixer body with plumbers grade silicon or sealing compound.
8. Slide Mixer Wall plate in Place (B) **N.B** Shower/Bath Wall Plates and Shower & Bath Divertor Wall plates are fitted with concealed sealing washers, to assist with assembly of the wall plate onto the mixer body apply soapy water or plumbers grade grease to the concealed sealing washers.
9. Fit Mixer Handle (C)
10. Screw in Handle Grub Screw (D)
11. Fit Handle Grub screw cover. **N.B** Some Grub Screw covers are also Hot and Cold indicators, ensure when fitting a Grub screw cover on the handle that has the hot and cold indicators that the Red (Hot) is on the left hand side.

To the consumer

1. The Mixer is to only be cleaned with warm soapy water.
2. **Under No Circumstances** should any abrasive, cream or acid based cleaning agents be used as these types of cleaners will damage the chrome finish, Cartridge, seals and aerators.

Warranty:

For continued piece of mind, this product comes with a limited warranty from date of purchase. For full warranty terms and conditions of the warranty including how to claim and your rights as a consumer, please consult www.raymor.com.au. "If you are a consumer as defined under the Australian Consumer Law, our goods come with guarantees that cannot be excluded under the Australian Consumer Law. You are entitled to a replacement or refund for a major failure and compensation for any other reasonably foreseeable loss or damage. You are also entitled to have the goods repaired or replaced if the goods fail to be of acceptable quality and the failure does not amount to a major failure."

Warranty Contact Details:
 Tradelink Pty Ltd
 ABN: 2900003832
 1051 Nudgee Rd
 Banyo QLD 4014
 Ph: 1300 658 277
 Warranty@Tradelink.com.au