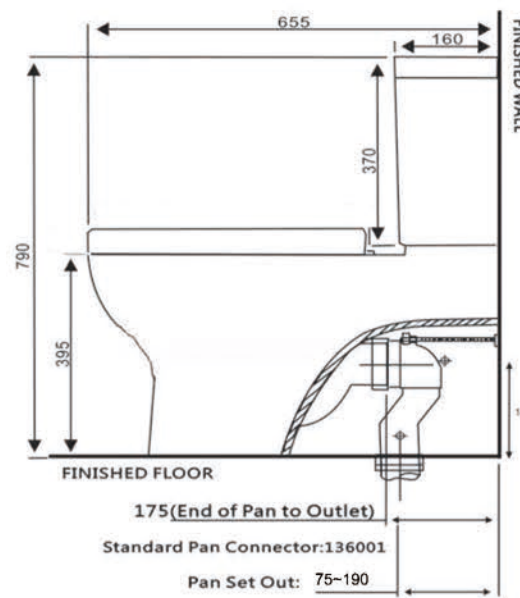
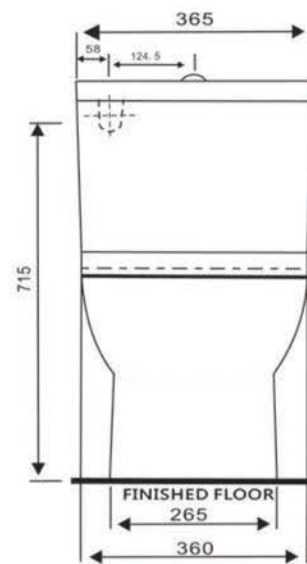
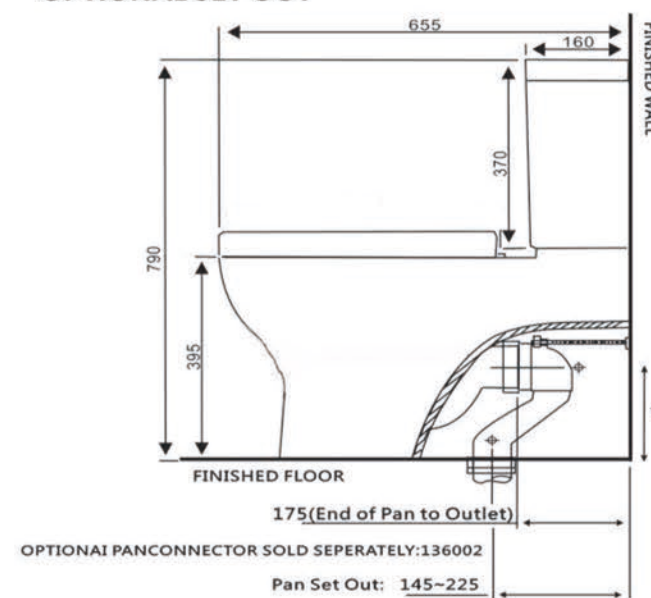
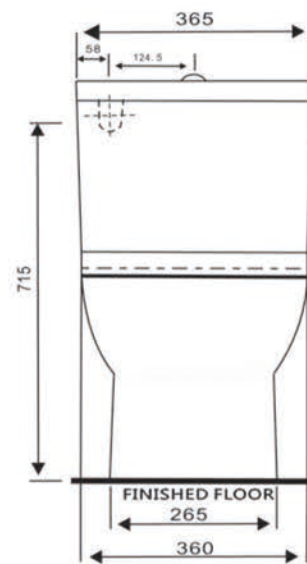


## SET OUT DRAWING



## OPTIONAL SET OUT



### Remove all products from packaging:

Check the product for damage, if the product is damaged return to store of purchase. Check the product is complete with all components required to install.

This product is to only be installed by a licensed plumber, failing to do so will void warranty. This product is to be installed as per Australian Standards and local authority requirements.

**Warning DO NOT BED THE PAN IN PLACE USING CEMENT, CONCRETE OR SIMILAR MATERIAL, DOING SO WILL VOID THE PRODUCT WARRANTY.**

### Pan installation:

1. Mark the centre line of the Pan connector on the floor for 'S' trap installation or on the wall for 'P' trap installation.
2. Place the pan into position centralising the pan on your centre line, draw around the pan base and mark the entry points on the floor to where the floor fixing holes are on the side of the pan.
3. Remove the pan and drill and screw into place the floor fixing brackets, set the floor fixing brackets 20mm inside the line drawn around the base. Use suitable floor fixing screws & toggles to suite the floor material.
4. Critical The pan must be on a level surface square to the wall, if the floor slopes away the pan will need to be levelled using suitable floor chocks around the pan to support and stabilise the pan.
5. The standard variance bend(136001) supplied has a set out of 75mm to 190mm, the optional variance bend(136002) has a set out of 145mm to 225mm and is purchased as an optional extra.
6. 'S' trap installation-Place the variance bend into the floor outlet, from the floor to the centre of the pan outlet is 185mm, ensure the variance bend is straight and square to the wall, assemble the variance bend wall brace and fix to the finished wall. Measure the distance from the back edge of the pan to the start of the 'P' trap and add on sufficient length for the variance bend collar to fully engage the 'P' trap. Remove the locking ring and rubber boot from the variance bend. Measure out from the finished wall to the measurement you have predetermined and cut the excess off the variance bend. The distance between each ridge on the variance bend is 10mm. Once the excess has been cut off the variance bend reassemble the rubber boot and locking ring.
7. If the suite is being installed as a bottom entry inlet refer to Bottom Entry Cistern installation before sliding the pan into place.
8. Slide the pan into place being careful that full engagement of the pan 'P' trap and variance bend has been achieved. N.B pre-soaping the rubber boot on the variance bend will assist with easier engagement of the 'P' trap and variance bend boot.
9. Once the pan is in place and connected to the variance bend, screw the pan in place using the supplied fixing screws and cover.

### DO NOT OVER TIGHTEN SCREWS AS THIS MAY CAUSE THE PAN TO CRACK

10. 'P' trap installation - The distance from the back edge of the pan to the start of the 'P' trap is 218mm(due to shrinkage variations please measure the distance on the pan to confirm) taking into account full engagement of the pan collar on the 'P' trap. Install waste pipe as per Australian standards and local authority requirements. The distance from the floor to the centre of the 'P' trap is 185mm, set your waste pipe height accordingly.

**DO NOT USE OFFSET PAN COLLARS ON S OR P INSTALLATIONS AS THIS WILL COMPROMISE WASTE DISCHARGE. DOING SO WILL VOID THE PRODUCT WARRANTY**

**-DO NOT SUBMERGE FLEXIBLE HOSES IN WATER-**  
AS/NZS 3499-2006 states that flexible hose assemblies are "for use with both heated water and cold-water supplies with a maximum heated water temperature of 90°C used for applications aboveground, accessible and **not submerged**". These same requirements are also reiterated within the plumbing and drainage installation standard AS/NZS3500.1, Clause 2.4.1 (c). Semi-flexible connectors and braided flexible hoses shall only be used **above surface level** and in accessible locations.

### Cistern Installation:

#### Back Entry Installation:

1. With the pan in place locate the cistern on to the pan with sponge gasket (Foam sealing washer) to the bottom of the outlet valve threaded tail.
2. Centralise cistern on the pan and align the cistern assembly holes with the pre-fitted nut-certs on the pan. Using the supplied assembly bolts tighten the cistern to the pan. (N.B Cistern to Pan assembly bolts are to be tightened down evenly, alternating between left and right bolt until the cistern and pan have china to china contact). **DO NOT OVER TIGHTEN**
3. Assemble the Water control valve to the 1/2BSP inlet thread.
4. Connect one end of the supplied female to female braided hose to the inlet valve (**DO NOT OVER TIGHTEN, TWIST OR KINK BRAIDED HOSE**), connect the other end to the water control valve.
5. Place cistern lid on top of cistern tank and check push button
6. Fit seat to the pan using seat assembly instructions supplied in the seat box. Check seat for workability.

#### Bottom Entry Installation Instructions:

This cistern is supplied as Back left Inlet as standard, to convert to bottom entry Left or Right hand please follow the below instructions.

#### Bottom Entry Left hand side:

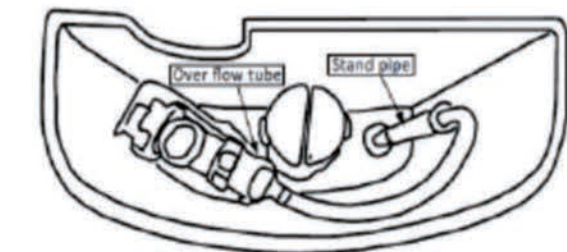
1. Remove bottom left hand cistern bung.
2. Fit stand pipe to left side cistern bung hole, ensure bottom sealing washer is in place and tighten lock nut. (If not already fitted)
3. Fit supplied braided stainless-steel hose from inlet valve to the top of stand pipe (**DO NOT OVER TIGHTEN, TWIST OR KINK BRAIDED HOSE**).
4. Fit Stainless steel hose to bottom of Stand pipe, connect other end to water control valve. (**DO NOT OVER TIGHTEN, TWIST OR KINK BRAIDED HOSE**). (Hose Not Supplied)

#### Bottom Entry Right hand side:

1. Unclip Inlet valve from overflow tube bracket and remove the inlet valve from cistern tank.
2. Loosen retaining Outlet valve lock nut which holds outlet valve assembly in place.
3. Rotate Outlet valve body so the overflow tube is positioned on the left front of the cistern.
4. The bracket at the top of the overflow tube is a push-in fitting with adjustment teeth and needs to be removed and aligned so that the inlet valve is able to be clipped in place with the braided hose facing toward the right-hand side of the cistern tank.
5. Remove bottom Right hand cistern Bung.
6. Fit stand pipe to right side cistern bung hole, ensure bottom sealing washer is in place and tighten lock nut. (If not already fitted)
7. Fit supplied braided stainless-steel hose from inlet valve to the top of stand pipe (**DO NOT OVER TIGHTEN, TWIST OR KINK BRAIDED HOSE**).
8. Review alignment of inlet valve, braided hose and overflow pipe, ensure the inlet valve is not touching the side of the cistern tank, the Inlet valve will not function correctly if the valve is touching the cistern tank.

**N.B if the inlet valve after re-fitting requires further adjustment, DO NOT twist the inlet valve on the overflow tube, lift the inlet valve off the overflow and reposition.**

9. Once correct positioning is achieved re-tighten outlet valve lock nut. Twist the centre of the outlet valve flush assembly to realign the push plates, Half Flush to be on the left-hand side and is identified by a semi-circle symbol.
10. Fit Stainless steel hose to bottom of Stand pipe, connect other end to water control valve (**DO NOT OVER TIGHTEN, TWIST OR KINK BRAIDED HOSE**). (Hose Not Supplied)



### Cistern Assembly to Pan:

1. Fit sponge gasket (Foam sealing washer) to the bottom of the outlet valve threaded tail.
2. Feed braided hose connected to the bottom of the stand pipe through the top of the pan hole and feed Braided hose through the left or the right-hand side of the toilet pan for connection to the mains water supply (**DO NOT OVER TIGHTEN, TWIST OR KINK BRAIDED HOSE**).
3. Centralise cistern on the pan and align the cistern assembly holes with the pre-fitted nut-certs on the pan. Using the supplied assembly bolts tighten the cistern to the pan. (N.B Cistern to Pan assembly bolts are to be tightened down evenly, alternating between left and right bolt until the cistern and pan have china to china contact).

#### DO NOT OVER TIGHTEN

4. Slide Pan and cistern into place following points 8 & 9 in the pan installation section.
5. Connect the braided hose to the water control valve.
6. Place cistern lid on top of cistern tank and check push button workability.
7. Fit seat to the pan using seat assembly instructions supplied in the seat box.

**Important: Sand and debris move through water pipes. Always flush the line prior to connecting Toilet Suite inlet pipe to water control valve**

**Important: This cistern as per Water Mark and WELS requirements has been pre-set at 4.5 full flush and 3 litre half flush, changing the water level to increase the flush volume will compromise the Water Mark and WELS certification and could cause the braided hose to come into contact with the cistern tank water which is not permitted as per AS/NZS 3499-2016(R2016) Water supply - Flexible hose assemblies.**

### Warranty Contact Details:

Tradelink Pty Ltd  
ABN: 2900003832  
1051 Nudgee Rd  
Banyo QLD 4014  
Ph: 1300 658 277  
[Warranty@Tradelink.com.au](mailto:Warranty@Tradelink.com.au)

#### Warranty:

For continued piece of mind, this product comes with a limited warranty from date of purchase. For full warranty terms and conditions of the warranty including how to claim and your rights as a consumer, please consult [www.raymor.com.au](http://www.raymor.com.au). "If you are a consumer as defined under the Australian Consumer Law, our goods come with guarantees that cannot be excluded under the Australian Consumer Law. You are entitled to a replacement or refund for a major failure and compensation for any other reasonably foreseeable loss or damage. You are also entitled to have the goods repaired or replaced if the goods fail to be of acceptable quality and the failure does not amount to a major failure."

Issue Date: 10 Oct.2020

Revision Number: 1.0

Revision Date: N/A