

PLUMBERS' INSTALLATION INSTRUCTIONS

For Prima 4.5-3 Litre Vitreous China Link Toilet Suite

PLEASE READ CAREFULLY BEFORE INSTALLATION

Preparation for bedding for 'S' trap

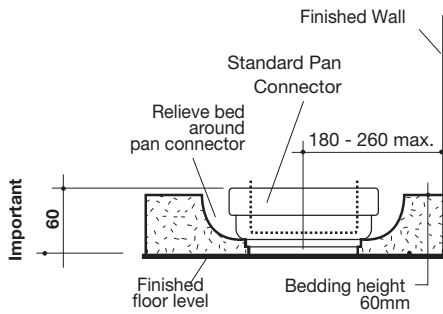


Fig. 1

IMPORTANT: ALL DIMENSIONS ARE TO THE UNDERSIDE FOOT LEVEL OF THE PAN. IT IS IMPORTANT TO MAKE A HEIGHT ALLOWANCE FOR BEDDING.

'P' trap installation

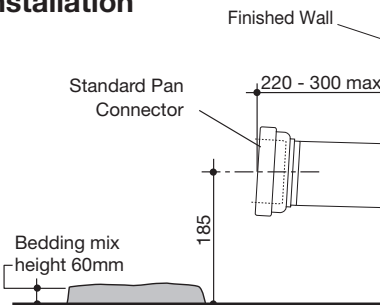


Fig. 2

Fixing Installation

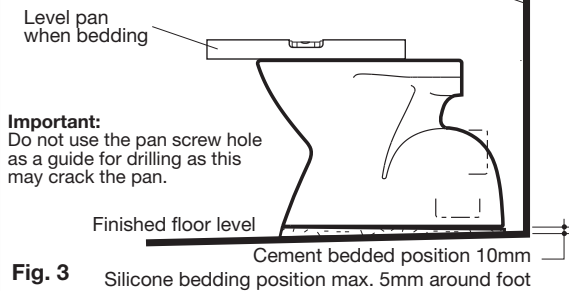


Fig. 3

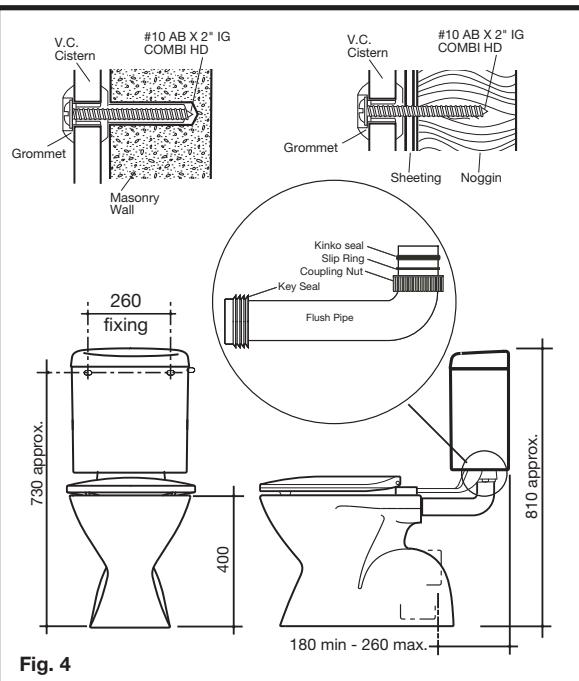


Fig. 4

IMPORTANT
TO ACHIEVE A SATISFACTORY 4.5/3L FLUSH PERFORMANCE AND A 4 STAR WATER EFFICIENCY RATING THE PAN MUST BE MATCHED WITH A COMPATIBLE STYLUS 4.5/3L CISTERN.

ROUGHING IN:

It is essential for installation of the Prima Link Toilet Suite that the soil pipe and pan collar for 'S' and 'P' trap installation are accurately fixed into position as detailed in **Fig. 1** or **Fig. 2**.

PAN FIXING PROCEDURE

Pan bedding:

- 1- Remove an area of tiles which are within the internal area covered by the foot of the pan to expose the subfloor and provide a bondage key for the bedding mixture.
- 2- Ensure that the bedding area is clean and free of building material.
- 3- Prepare bedding sand cement mixture 3:1 to depth of 60mm as detailed in **Fig 1**. Note: Do not fill the foot of the pan with bedding mix or include lime or fast drying cement in the mix, these may cause cracking in the foot of the pan.
- 4- Position pan and connect with pan connector and level pan into bedding mixture, so that the back of the foot of the pan is approximately 10mm above the finished floor as detailed in **Fig 3**. It is recommended that wedges are used to support the foot of the pan during the positioning.
- 5- Locate the cistern on to the pan and check that the cistern is level side to side and aligned with the tiling edges. Adjust pan position if necessary. Allow bedding mixture to set for at least 24 hours prior to use.

Screw fixing:

- 1- Position pan onto pan connector and mark location of pan fixing holes on the floor, as detailed in **Fig 3**.
 - 2- Drill two holes in the marked positions on the floor. The hole diameter is dependent on the type of fixing system and floor finish.
- IMPORTANT-DO NOT USE THE PAN SCREW HOLES AS A GUIDE FOR DRILLING AS THIS MAY CRACK THE PAN.**
- 3- Ensure that the area around the floor is clean and free from building material.
 - 4- Run a bead of acetic cured silicone sealant at a height of 8mm approximately fully around the foot of the pan which contacts the floor. Use Wedges around the foot base (if required) so that the **maximum height of acetic cured silicone sealant is not greater than 5mm on completion of bedding.**
 - 5- Connect pan to pan connector and fix to the floor with suitable corrosion resistant screws. The acetic cured silicone sealant will bed the pan to the floor. Remove any excess silicone, as detailed in **Fig 3**.

CISTERN FIXING PROCEDURE

Important: For timber stud and non-structural walls, noggins or other suitable means of support must be used to fix the cistern to the wall at the recommended height.

Note: The inlet valve can be changed from right to left.

- 1- Position cistern and mark fixing holes as specified on the finished wall.
- 2- In masonry wall drill 8mm diameter holes and insert the plugs provided. In timber, drill a 3mm diameter pilot hole.
- 3- Position fixing grommet holes in cistern over wall plugs, insert 10 # by 2" Combi Hd. self tapping screws.

Cut flush pipe to size.

- 1- Mount the cistern temporarily on the wall.
- 2- Measure the distance of the pan inlet to the centre outlet. Add 25mm to this measurement to allow for the flush pipe to be inserted into the pan inlet, and cut the flush pipe to this length.
- 3- Remove cistern from the pan and fit the keeseal onto the inlet end of the flushpipe.
- 4- Insert the flush pipe into the inlet using a small amount of lubricant. Place the cap nut, tail slip ring (with flat edge facing downwards) and Kingco seal over the flush pipe.
- 5- Mount the cistern onto the wall. Lower the cistern over the flush pipe. Fasten the cistern to the wall. Tighten the cap nut to create a water tight seal.

Cut connector piece to size.

- 1- Slide the connector piece under the cistern so that the collar fits securely around the cistern outlet valve. The front of the connector piece should be resting on the back edge of the pan.
- 2- Mark a line on the connector piece corresponding to the centre of the seat bolts on the toilet pan. Remove connector piece. Using the line that was marked cut the connector piece square across and remove burrs.
- 3- Slide the connector piece into position so that the collar fits around the cistern outlet valve.
- 4- Fit seat bolts into bolt holes in pan and loosely fit wing nuts.
- 5- Slide seat over the connector piece and ensure that the seat bolt heads are fitted into the slots in the underside of the seat hinge block.
- 6- Centre seat over the pan and tighten seat bolt wing nuts.
- 7- Connect water supply, adjust water level to line in cistern and check operation of cistern.
- 8- Fit lid to check push button operation to complete installation.

IMPORTANT: THE INLET VALVE IS FITTED WITH A LINE STRAINER. ITS TAIL IS CENTRALLY LOCATED TO ALLOW EASY REMOVAL FOR CLEANING. THIS TAIL FITS EASILY INTO THE COPPER CONNECTION PIPE. INSTALLATION OF THE CISTERN WITHOUT THE STRAINER CAN LEAD TO DAMAGE OF THE INLET VALVE FROM THE WATER-BORNE CONTAMINANTS LEADING TO CISTERN MALFUNCTION.

All measurements are subject to accepted manufacturing tolerances. To ensure accuracy please check actual product dimensions before drilling for installation. The manufacturer reserves the right to change specifications at any time without giving prior notification. This product should be installed by a qualified plumber. Local authority, Water Board, and Building Regulations may apply to the installation of this product, and you should consult the appropriate bodies on these requirements.