

PLUMBERS INSTALLATION INSTRUCTIONS

Important Information

- * All pipework must be thoroughly flushed prior to installation.

Installation

- 1) Check that threaded nipple (1) is the correct length, as shown. Cut to length if required ensuring end face is square.
- 2) Apply thread tape to the thread. Slide the cover plate (2) over the threaded nipple (1) as shown, then screw on the bath outlet (3) and position as required. DO NOT OVERTIGHTEN .

IMPORTANT
<u>Pressure & Temperature Requirements.</u>
<ul style="list-style-type: none"> • Hot and cold water inlet pressures should be equal. • Static Inlet pressure range : 150 -1000 kPa New Regulation:- 500 kPa maximum static pressure at any outlet within a building. (Ref. AS/NZS 3500.1) • Maximum hot water temperature : 80°C.

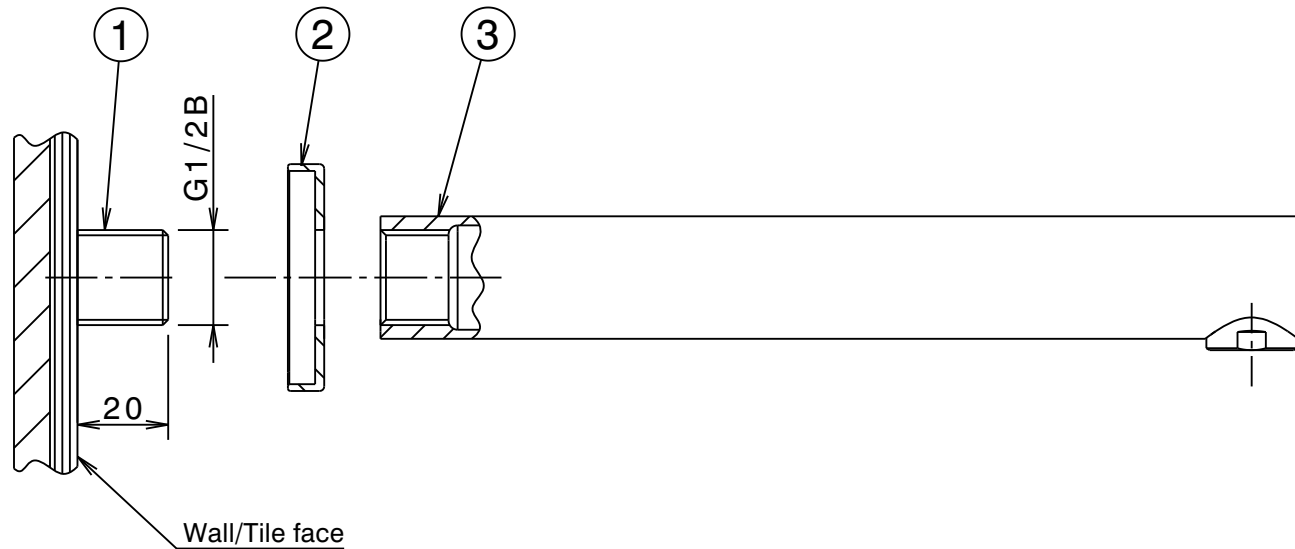


Fig. 1