

Nero

SHOWER RAIL

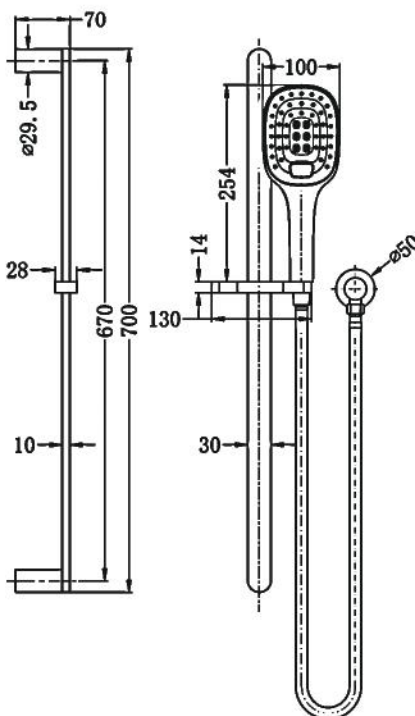


SPECIFICATION

PRODUCT CODE	YSW308
WELS RATING	4 STAR 7.5L/MIN
WATERMARK LICENSE	WM-060093
TEMPERATURE RATING	MIN 1°C-MAX 75°C
PRESSURE RATING	MIN 150KPa-MAX 500KPa

FINISH

	NR308CH	chrome
	NR308MB	matt black



MAINTENANCE AND CARE

All surfaces should be cleaned with mild liquid detergent or soap and water.

Do not use cream cleaners or citrus based cleaning products, as they are abrasive.

Use of unsuitable cleaning agents may damage the surface. Any damage caused in this way will not be covered by warranty.

PACKAGING INCLUDES

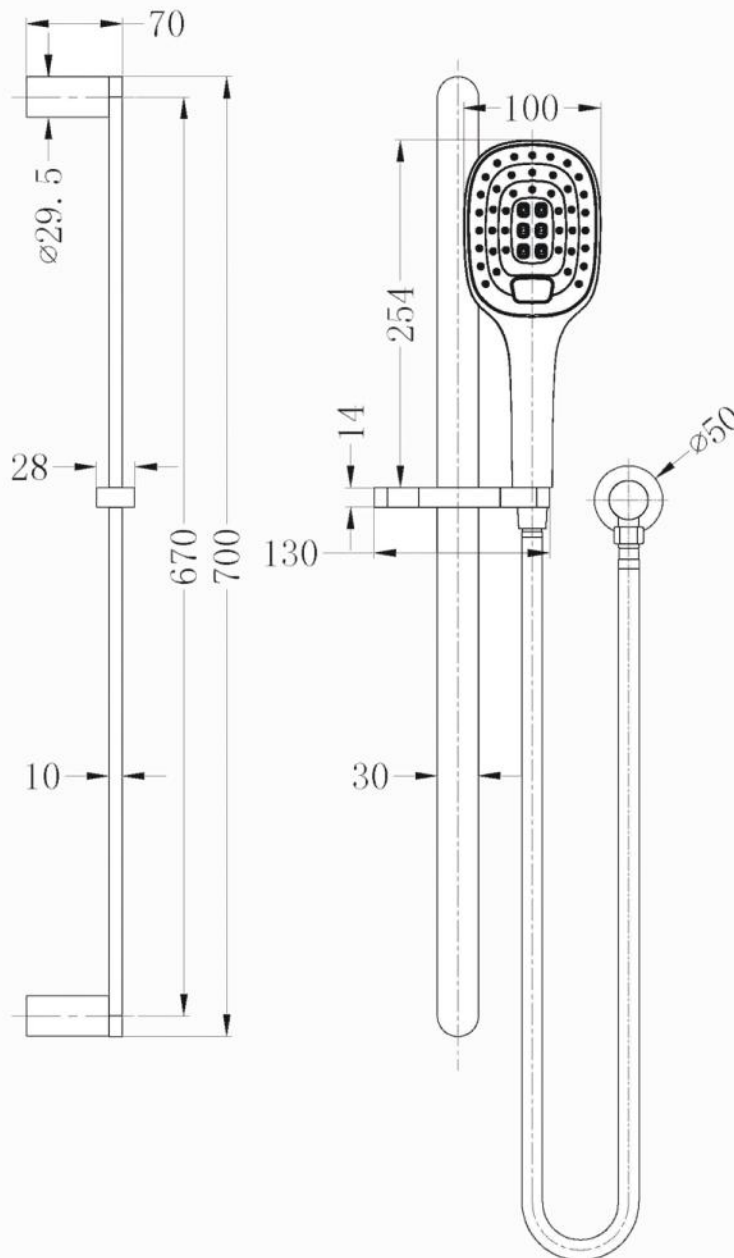
- 1x shower rail
- 1x handle shower
- 1x shower hose
- 1x elbow
- 1x installation kit

Dimensions are nominal measurements only.



Versions: 2019.12

www.nerotapware.com.au



SHOWER RAIL YSW308



NOTE

1. Seal all wall penetrations with a neutral cure silicone.
2. The inlet of the shower hose is connect to a wall elbow installed by the plumber at a suitable height.
3. This is only an installation guide .Nero Tapware recommends having the product onsite before commencing rough in.
4. This product may not be suitable for use with gravity-fed water heaters, low pressure supply networks, instantaneous water heaters, tempering valves and thermostatic mixing valves