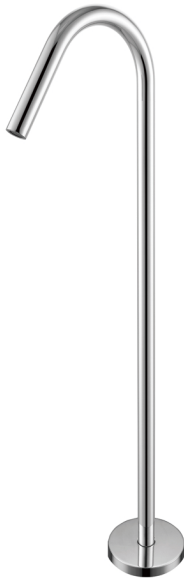


## BIANCA FLOORMOUNT BATH SPOUT

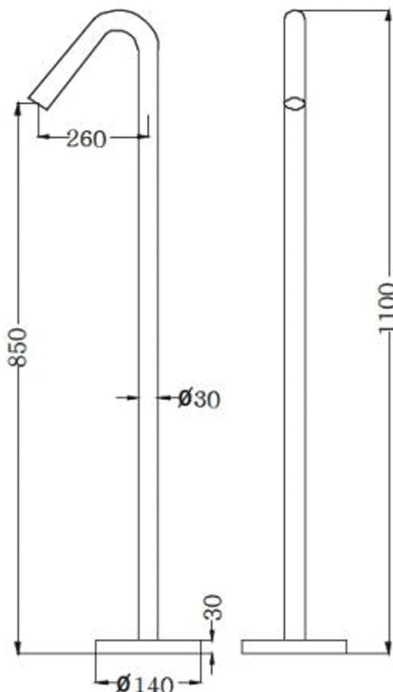


### SPECIFICATION

PRODUCT CODE	YSW2219-03A
WELS RATING	N/A
WATERMARK LICENSE	WM-060073
TEMPERATURE RATING	MIN 1°C-MAX 75°C
PRESSURE RATING	MIN 150KPa-MAX 500KPa

### FINISH

NR221903aCH	chrome
NR221903aMB	matte black
NR221903aBN	brushed nickel
NR221903aGM	gun metal
NR221903aBG	brushed gold



Dimensions are nominal measurements only.

### MAINTENANCE AND CARE

All surfaces should be cleaned with mild liquid detergent or soap and water.

Do not use cream cleaners or citrus based cleaning products, as they are abrasive.

Use of unsuitable cleaning agents may damage the surface. Any damage caused in this way will not be covered by warranty.

### PACKAGING INCLUDES

- 1x straight tube
- 1x escutcheon
- 2x flexible hose
- 1x triangle bracket
- 3x expansion screw
- 1x gloves
- 1x manual
- 1x allen key

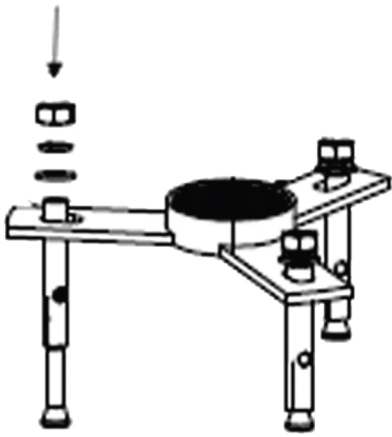


Versions: 2019.12

# Nero

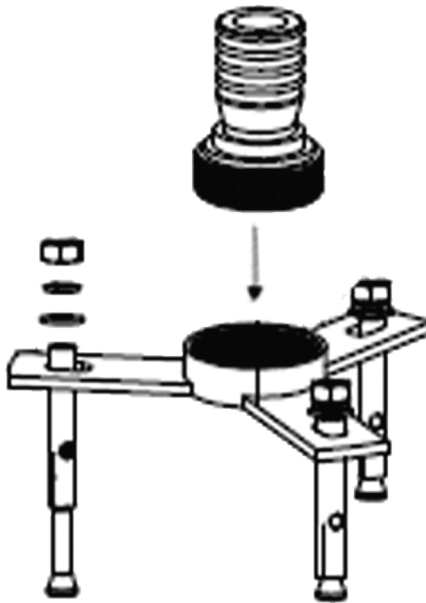
## INSTALL INSTRUCTION

1. fixing the triangle part by screw nuts and washers



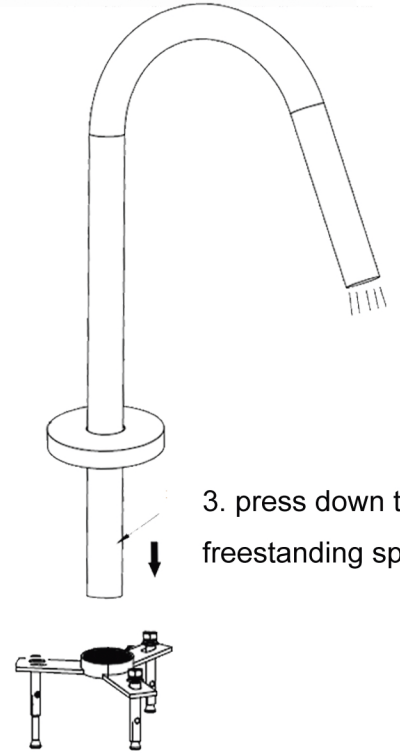
1

2. put the adapter connect into the triangle.



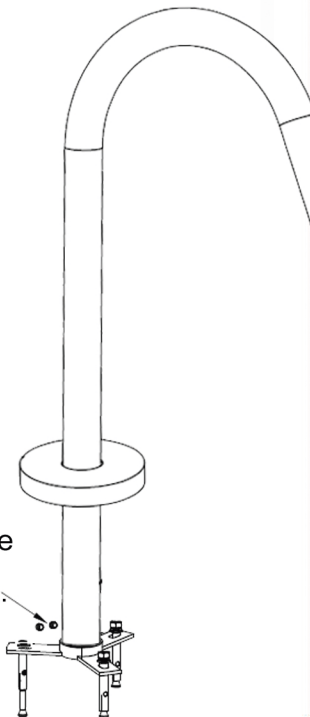
2

3. press down the freestanding spout.



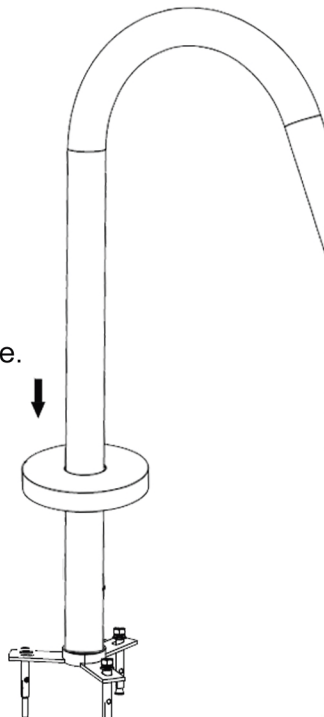
3

4. Fasten the grub screws.



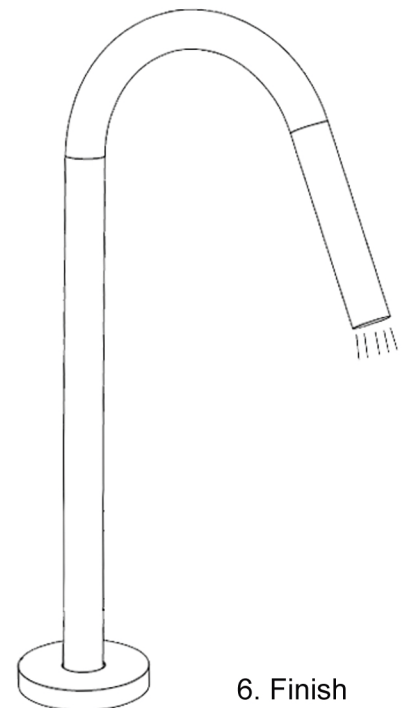
4

5. press down the flange plate.



5

6. Finish



6