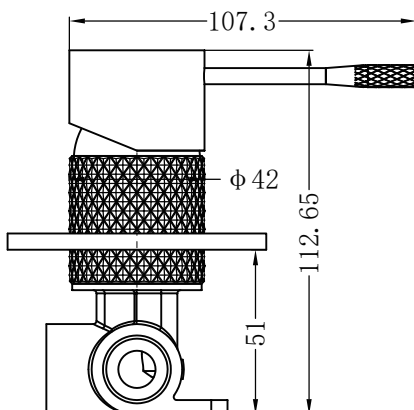
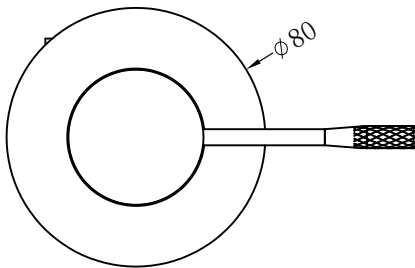






## Opal Shower Mixer



## SPECIFICATION

PRODUCT CODE	YSW2519-09
WELS RATING	N/A
WATERMARK LICENSE	WM-060073
TEMPERATURE RATING	Min 1°C - Max 75°C
PRESSURE RATING	Min 150KPa - Max 500Kpa

## AVAILABLE FINISH

	GRAPHITE NR251909GR		BRUSHED NICKEL NR251909BN
	BRUSHED BRONZE NR251909BZ		BRUSHED GOLD NR251909BG

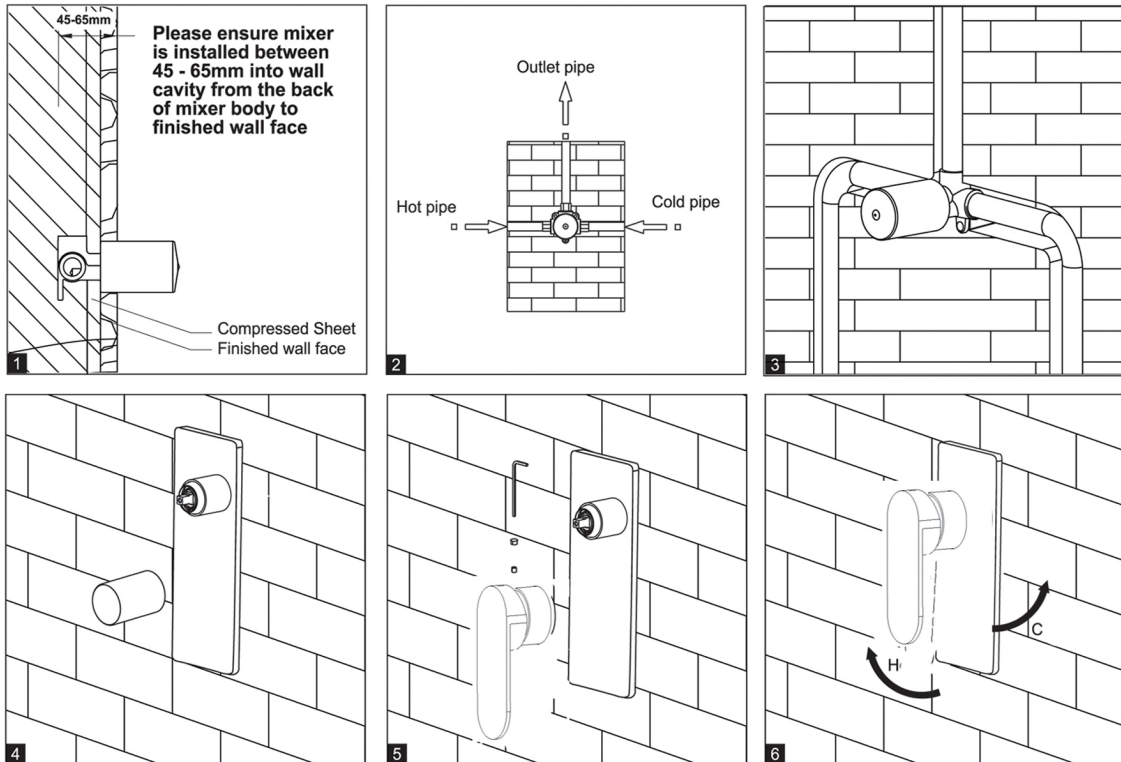
## MAINTENANCE AND CARE

All surfaces should be cleaned with mild liquid detergent or soap and water. Do not use cream cleaners or citrus based cleaning products, as they are abrasive. Use of unsuitable cleaning agents may damage the surface. Any damage caused in this way will not be covered by warranty.

## PACKING INCLUDES

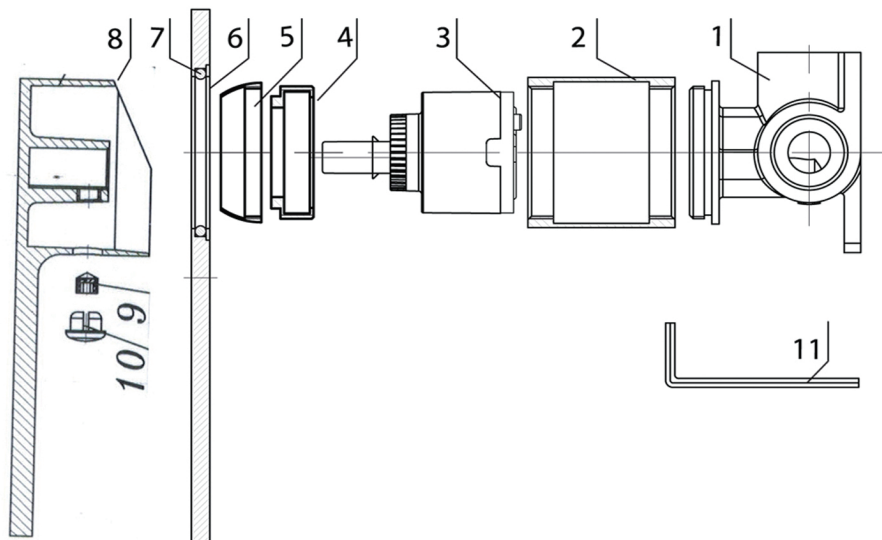
- 1x mixer body
- 1x handle
- 1x plate
- 1x accessories pouch





1. Install mixer body into wall cavity. Refer to diagram 1 above for setting depth of mixer body in relation to finished wall face.
2. Connect all pipe work as per diagram 2 above.
3. Pressure test for leaks then proceed to waterproof installation.
4. Remove protective sleeve and install decorator plate.
5. Install handle.
6. Operate mixer.

## EXPLOSIVE VIEW



1. Body
2. Mixer body
3. Cartridge
4. Retaining nut
5. Cartridge cover
6. Backing plate
7. O-ring
8. Handle
9. Grub screw
10. Cap
11. Allen key