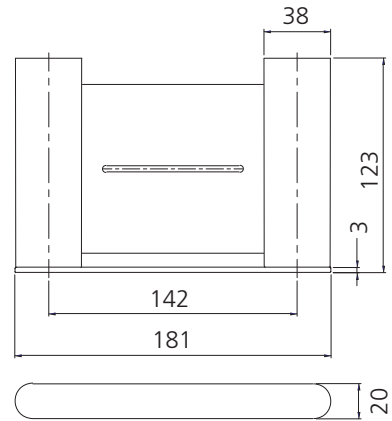


Madrid

MA859F07BN

Brushed Nickel Soap Holder



Specifications /

Materials	Zinc alloy / brass / stainless steel
Finish	Brushed nickel (PVD)
Mounting method	Wall mounting, four point fixing
Parts list	Soap holder, fixing set
Warranty	7 years parts; 1 year parts and labour (refer to oliveri.com.au)
Maintenance and care instructions	All surfaces should be cleaned with mild liquid detergent or soap and water. Do not use cream cleaners or citrus based cleaning products, as they are abrasive. Use of unsuitable cleaning agents may damage the surface. Any damage caused in this way will not be covered by warranty.