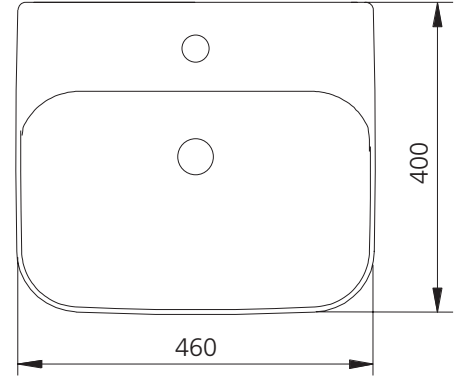
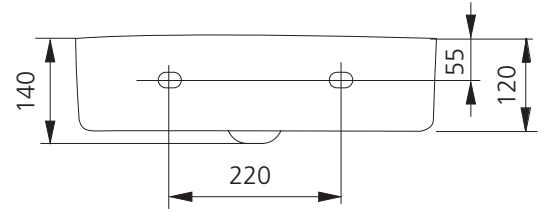


Dublin

DU7130D

Wall Hung Basin



All dimensions in mm

Specifications /

Tap holes	1 tap hole
Waste outlet	Pop up waste sold separately (chrome, matte black or brushed nickel)
Overflow	Included (with plastic chrome plated overflow ring)
Colour	White
Basin size	460W x 400H x 140D mm
Bowl size	460W x 280H x 120D mm
Bowl capacity	4.5L
Material	Vitreous china
Installation	Wall hung
Weight	13.0kg
Warranty	10 years replacement products, 1 year parts and labour (refer to oliveri.com.au)
Maintenance and care instructions	All surfaces should be cleaned with mild liquid detergent or soap and water. Do not use cream cleaners or citrus based cleaning products, as they are abrasive. Use of unsuitable cleaning agents may damage the surface. Any damage caused in this way will not be covered by warranty.