

Oliveri

VITREOUS CHINA

Wall Hung Toilet Suite

Installation instructions for Wall Hung Toilet Suite

THIS TOILET MUST BE INSTALLED BY A LICENSED PLUMBER IN ACCORDANCE WITH LOCAL REGULATIONS

This Oliveri toilet suite is manufactured to Australian standard AS 1172.1 & AS 1172.2

Remove all products from packaging:

Check the product for damage, if the product is damaged return to store of purchase.
Check the product is complete with all components required to install.
This product is to only be installed by a licensed plumber, failing to do so will void warranty.
This product is to be installed as per Australian Standard and local authority requirements.

WARNING: DO NOT BED THE PAN IN PLACE USING CEMENT, CONCRETE OR SIMILAR MATERIAL, DOING SO WILL VOID THE PRODUCT WARRANTY.

N.B Refer to Geberit Sigma Duofix 8 in-wall cistern installation instruction sheets when using this installation document to ensure the Wall Hung toilet suite is installed correctly.

Cistern Installation:

Refer Geberit Sigma 8 installation instruction sheet in conjunction with the dimensional pan drawings on this document for correct installation.

IMPORTANT:

Sand and debris move through water pipes. Always Flush the line prior to connecting Toilet Suite inlet pipe to Water Control valve.

CARE & MAINTENANCE

Avoid using abrasive or acid based cleaning products.

WARRANTY:

This Toilet Suite is warranted to be free from manufacturing defects for a period of:

10 Years vitreous china

2 Years, seat.

1 Year, labour.

Geberit In-Wall cisterns are covered by Geberit's warranty

Oliveri

OSLO



Product code:OS0513
VI1273ST

This warranty does not cover against normal wear and will be voided if the product is misused or not installed in accordance with these instructions.

In the event this product is rendered obsolete and a replacement product is required.

Oliveri Solutions Pty Ltd reserves the right to supply a product of equal substitution at their discretion.

Our goods come with guarantees that cannot be excluded under the Australian Consumer Law. You are entitled to a replacement or refund for a major failure and for compensation for any other reasonably foreseeable loss or damage. You are also entitled to have the goods repaired or replaced if the goods fail to be acceptable quality and the failure does not amount to a major failure.

SERVICE

If the problem represents a danger, or damage to property may occur, immediately shut off the water supply.

If the toilet requires servicing, please contact your installer (preferably the one who installed it).

If the installer is satisfied that the problem is not due to poor installation, contact T2 Services Pty Ltd for assistances on:

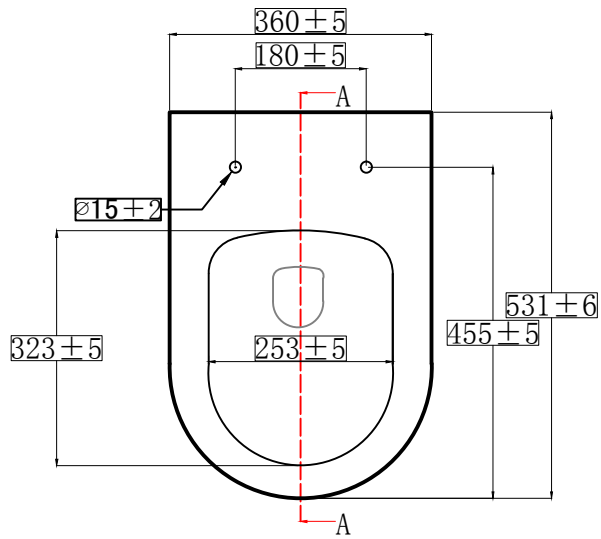
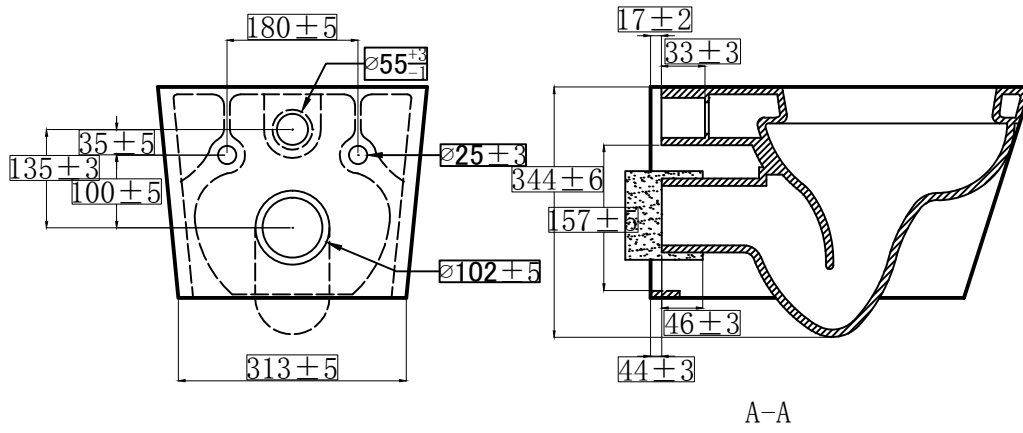
Ph : (07) 55960738

Fax : (07) 55273353

Email:oliveri@t2services.com.au

https://oliveri.com.au/service-and-warranty

If the warranty service agent finds that the toilet suite is not faulty, T2 Services Pty Ltd reserves right to pass on any callout fee to the householder.



UNIT:MM