

Munich

MU0503 (Pan: MU0503/ Seat: MU1263SC / Flush Plate - Refer code below when ordering)
MU503RDPPCR, MU503SQPPCR, MU503RDPPBK, MU503SQPPBK
 Wall Hung Toilet Suite



MU503RDPPCR



MU503SQPPCR



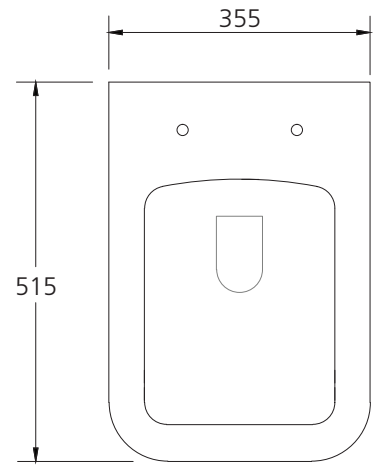
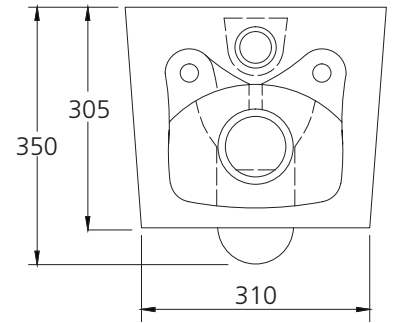
MU503RDPPBK



MU503SQPPBK



*Specify flush plate code when ordering.



Specifications /

| | |
|--|--|
| WELs Rating | 4 star, 3.5L avg flush volume |
| Pan | Rimless/Easy-clean design |
| Trap(s) | P-trap installation (refer drawing) |
| Cistern | Geberit Sigma8 Concealed Cistern with Frame (Dual flush valve 4.5L/3L) |
| Fixing | The toilet is fixed with a Geberit concealed water tank in wall. |
| Seat | Soft close and quick release toilet seat is provided as standard. Compression moulded toilet seat, fitted with buffers and metal hinges. |
| Colours | White toilet suite, Chrome or Matte Black flush plate |
| Installation | The installation of the toilet suite shall be in accordance with the normal minimum drain line grade requirements in AS/NZS 3500.2. |
| Materials | Vitreous china |
| Weight | 30kg |
| Parts list | UF toilet seat, Geberit double flushing valve, standard pipe. |
| Warranty | 10 years vitreous china cistern and pan replacement of product; 2 years valves, fittings and seat; 1 year seals and labour (refer to oliveri.com.au/service-and-warranty-au) |
| Maintenance and care instructions | All surfaces should be cleaned with mild liquid detergent or soap and water. Do not use cream cleaners or citrus based cleaning products, as they are abrasive. Use of unsuitable cleaning agents may damage the surface. Any damage caused in this way will not be covered by warranty. |