



THIS MIXER TAP MUST BE INSTALLED BY A LICENSED PLUMBER IN ACCORDANCE WITH LOCAL REGULATIONS

This Oliveri tap is manufactured to standard AS/NZS 3718.

MAX OPERATING PRESSURE:.....6 bar (600kPa)
 RECOMMENDED OPERATION PRESSURE:1.5-5 bar (150-500kPa)
 MAX HOT WATER TEMPERATURE:.....80°C
 RECOMMENDED HOT WATER TEMPERATURE:.....60°C

Where water pressure exceeds 600kPa, a pressure reducing device is required to be installed. Note that water pressure overnight can reach 150% of the daytime pressure.

Note: Installation of aerators containing flow regulators.
 Upon re-installation of the aerator after flushing, the aerator should be tightened with aerator key supplied to prevent removal by hand.

Note: Ceramic Cartridges - Warranty claims will not be honoured where the ceramic cartridge has malfunctioned due to the presence in the water supply of;

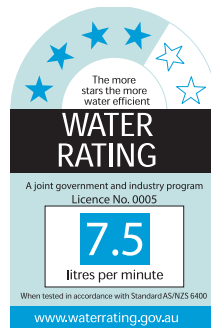
- Copper tube pieces, sand, dirt or stones
- Thread tape
- Other objects not normally present in potable water supplies.
- Do not remove the cartridge from the body as it has been pressure tested and tightened to a specific torque.

Before attempting any work involving mains water supply lines, ensure the water supply is shut off.

Stop valves (preferably with filters) must be used when installing your Oliveri mixer to allow isolation. (not supplied with mixer). Failure to do so where required will void warranty.

This mixer tap is already pre-assembled and tested. Do not disassemble, as this may void the warranty.

This mixer tap must be installed in accordance with these instructions.



FT3ESQ



FT3EGN



3 in 1 Filtered Water Mixer Tap

CARE & MAINTENANCE

Unscrew and clean the spout aerator periodically - especially if you notice a drop in water pressure. The polished chrome plate finish on your Oliveri mixer tap will resist stains and dirt build up.

Clean with a soft cloth and warm soapy water as necessary - rinse and dry after cleaning. Avoid using abrasive or acid based cleaning products.

WARRANTY

This mixer tap is warranted to be free from manufacturing defects for a period of 10 Years: 5 years only (parts & labour) plus an additional 5 years on the Cartridge (parts only), when used in a domestic situation.

This warranty does not cover against normal wear and may be voided if the product is misused or not installed in accordance with these instructions. Note: Fitting spout-attached devices, including water filters, to this mixer may void warranty.

In the event this product is rendered obsolete and a replacement product is required, Tasman Sinkware reserves the right to supply a product of equal substitution at their discretion.

Our goods come with guarantees that cannot be excluded under the Australian Consumer Law. You are entitled to a replacement or refund for a major failure and for compensation for any other reasonably foreseeable loss or damage. You are also entitled to have the goods repaired or replaced if the goods fail to be of acceptable quality and the failure does not amount to a major failure.

SERVICE

If the problem represents a danger, or damage to property may occur, immediately shut off the water supply. If the mixer tap requires servicing, please contact your plumber (preferably the one who installed it). Most problems occur due to contaminated supply lines or water pressure exceeding 600kPa.

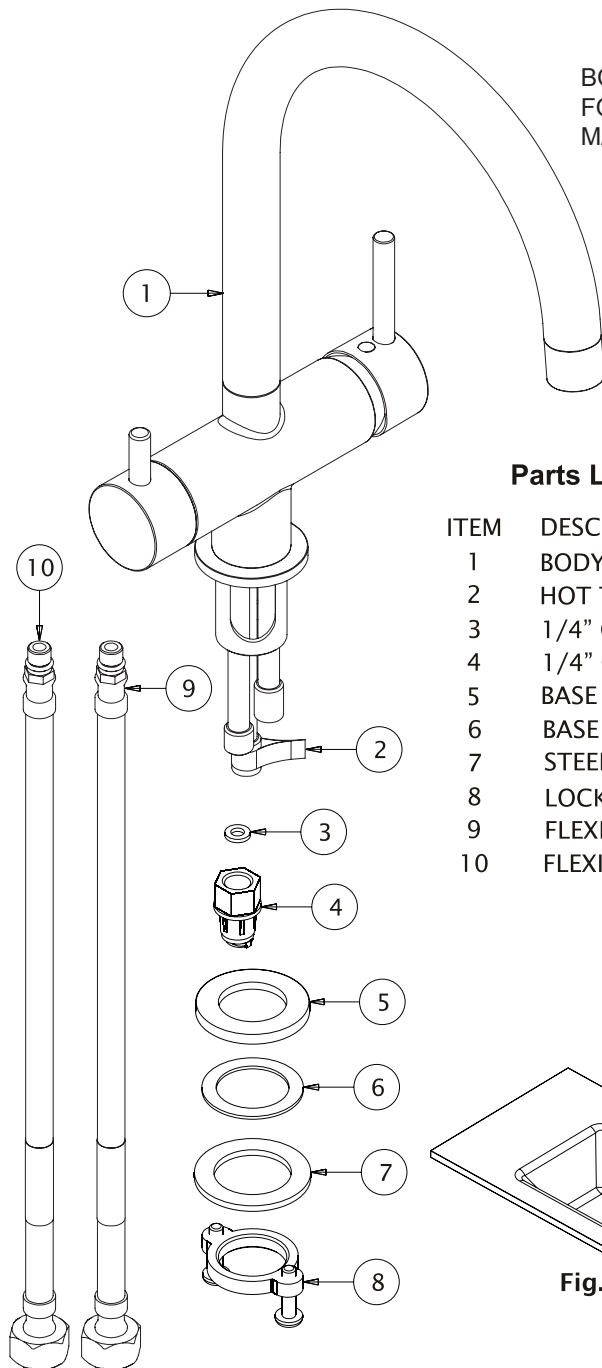
If the Plumber is satisfied that the problem is not due to poor installation, contact T2 Services Pty Ltd for assistance on:

Ph: (07) 5596 0738
 Fax: (07) 5527 3353
 Email: oliveri@t2services.com.au

If a warranty service call finds that the mixer tap is not at fault, T2 Services Pty Ltd reserves the right to pass on any callout fee to the householder.

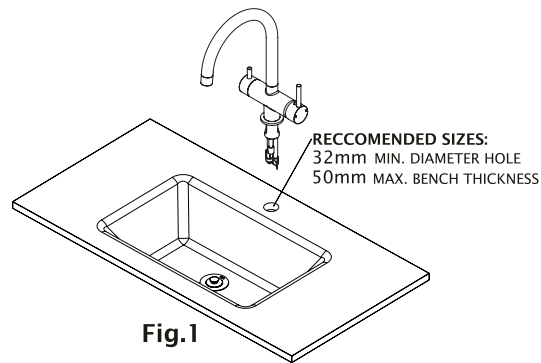


BODY ASSEMBLY STYLE
FOR ILLUSTRATION ONLY
MAY VARY



Parts List

ITEM	DESCRIPTION
1	BODY ASSEMBLY
2	HOT TAPE
3	1/4" QUICK CONNECTION WASHER
4	1/4" QUICK CONNECTION
5	BASE RING
6	BASE WASHER
7	STEEL WASHER
8	LOCK SCREW ASSEMBLY
9	FLEXIBLE HOSE - COLD
10	FLEXIBLE HOSE - HOT



INSTALLATION

Note - before installation see [Fig.1] for basin / bench requirements.

1. Ensure the supply lines are fluded before connecting the Mixer.
2. Fit the body assembly to the basin ensuring the base washer is correctly positioned underneath the base ring.
3. (Under the basin / bench) Fit the steel washer, then screw the locking screw onto the threaded sleeve. Use the philips head screws to further tighten the nut.
4. Connect the flexible hoses to the supply lines, making sure the hot water is connected to the hot water hose.
5. Prior to introducing the mains water supply, open the handle in the mixed position, midway between full hot and full cold.