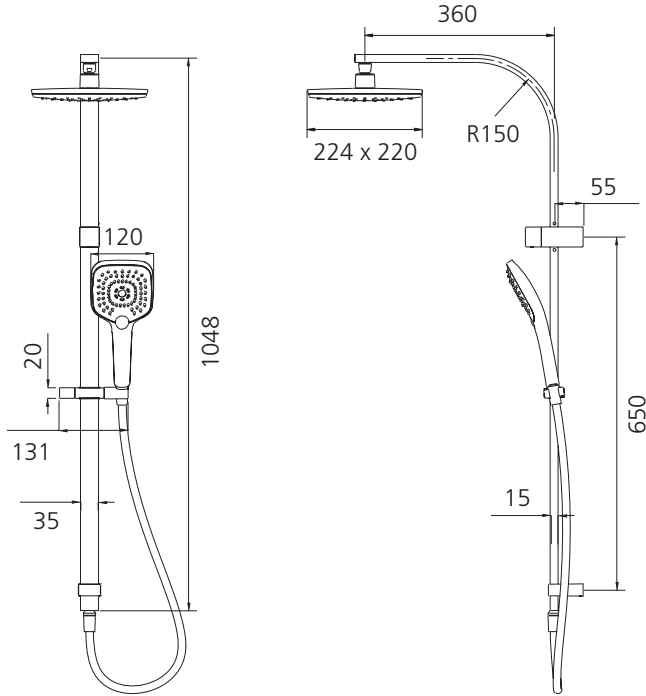


Monaco

MO36342MB

Matte Black Dual Shower Set

All dimensions in mm



Specifications /

WELs rating	3 Stars, 9L per minute
Temperature rating (min / max)	1°C - 65°C
Pressure rating (min / max)	150 kPa - 500 kPa
Finish	Matte black (powder coated)
Shower head functions	Three spray functions (hand shower)
Materials	Brass/ABS Plastic
Water supply	Mains
Connections	G 1/2 BSP
Mounting methods	Wall mounted
Product weight	3.45kg
Parts List	Hand shower x 1, shower rose x 1, hose x 1, slider rail x 1
Warranty	3 years main body; 2 years shower head, shower arm, plastic hand piece, hose, seals, o'rings; 1 year finish and labour (refer to oliveri.com.au)
Maintenance and care instructions	All surfaces should be cleaned with mild liquid detergent or soap and water. Do not use cream cleaners or citrus based cleaning products, as they are abrasive. Use of unsuitable cleaning agents may damage the surface. Any damage caused in this way will not be covered by warranty.