

Alpha Freestanding Back To Wall Bath 1700mm

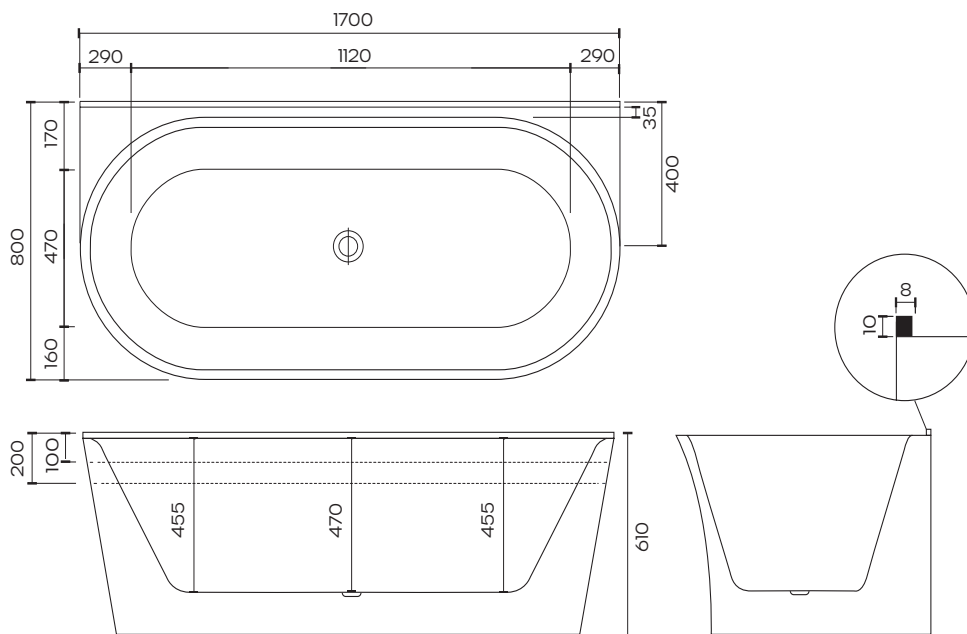
Product Code: 153150

Product Specifications

Installation Type	Back to Wall Freestanding
Size	1700 x 800 x 610mm
Construction	Moulded acrylic Adjustable self-supporting feet
Material	Sanitary grade acrylic
Finish	High gloss white
Waste Position	Centre waste
Shape	Oval
Plug & Waste	Not included
Overflow	No, refer to 191830 for overflow hole option
Compliance	AS 1172.5:2019



Product Technical Drawing



Limited Warranty

(visit raymor.com.au for full warranty details)

For more information call 1800 729 667 or visit raymor.com.au

© Registered trademark of Tradelink. All dimensions given are approximate and should be checked prior to installation. See raymor.com.au for full warranty details.

Raymor[®]