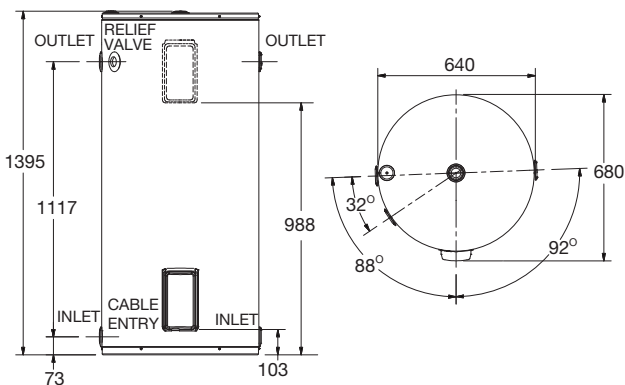


Features & Benefits

- Easy retrofit
- Dual handed inlet and outlet fittings
- Exclusive Rheem Ultraname^l
- Thicker sacrificial anode
- Twin element model - 492250
- Australian made
- 12 year cylinder warranty¹



MODEL	491250 492250
Hot Water Delivery (L)	250
kW Rating	1.8, 3.6, 4.8
Relief Valve Pressure (kPa)	1000
Expansion Control Valve (kPa)	850
Max Water Supply Pressure:	
with ECV (kPa)	680
without ECV (kPa)	800
Water Connections	Rp ³ / ₄
Approx. Weight (packaged) kg	82



Scan code for
details & installation
instructions

