

# Stainless Steel Free Standing or Built Under Dishwasher



## Model: DW6030

- **BLDC motor with 10 year warranty**
- Multi tilt and split third row cutlery tray
- Sensor touch controls in finger print resistant stainless steel
- ITT Information Transfer Technology
- Self cleaning filter system
- LED interior lighting
- 8 wash programs with 24 optional variations
- Residual hot air drying with extra hot rinse cycle
- **Whisper** quiet 45dBa
- Up to 24 hour delayed start on hourly intervals
- Three option spray pattern, top bottom or both
- Space saving sliding detergent dispenser
- 70°C sanitation cycle
- 15 minute super rinse and 30 minute fast wash
- Easy lift top basket for large platters
- Aqua Stop, Anti overflow and Anti flood protection
- Height adjustable cabinet
- Energy rating 4 stars
- 15 place settings
- WELS water rating 5 stars
- 11.8 Litres per wash
- In accordance with AS/NZS 6400



10 year warranty



Internal LED light



15 place settings



Whisper Quiet



70°C sanitation cycle



Third row cutlery tray



Delayed start



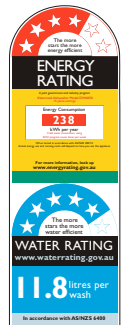
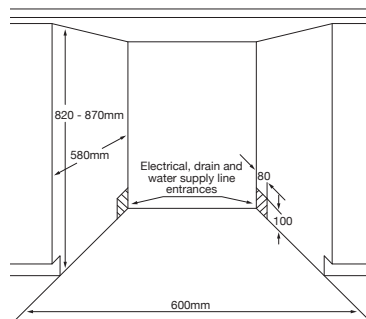
To view iTT function in operation scan this QR code.



Information Transfer Technology



Self Cleaning Filter System



To obtain full installation instructions for this appliance go to [kleenmaid.com.au](http://kleenmaid.com.au) and click on User Care Manuals, top right.

Fineline :0073893

J12256\_02

Level 2, 204 Botany Road, Alexandria NSW, 2015  
 P: 02 9310 1207 • E: [support@kleenmaid.com.au](mailto:support@kleenmaid.com.au)  
[www.kleenmaid.com.au](http://www.kleenmaid.com.au)

**kleenmaid**  
 The best you can own